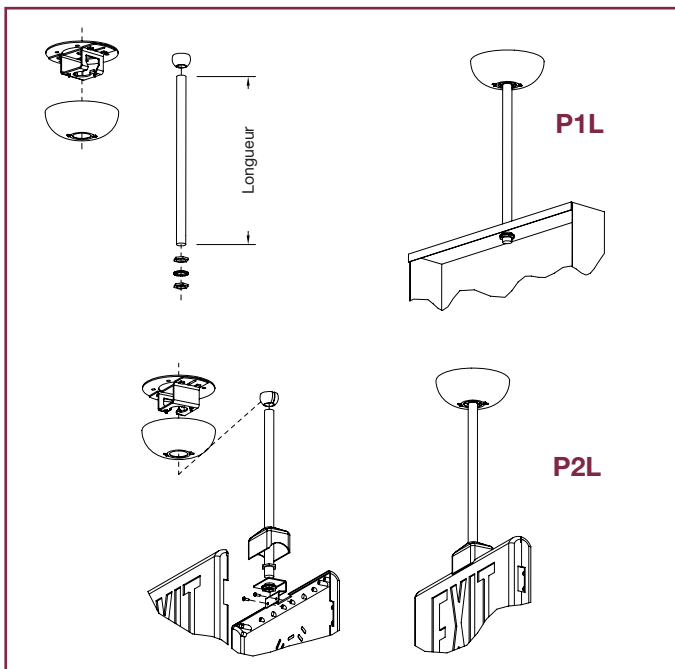


Suspension kit for Exit Signage



Dimensions



Ordering Information

Serie	Length (in)	Colour
P1L	-	W = white
	-	B = black
	-	SG = silver grey
*P2L	6	W = white
	12	B = black
	18	SG = silver grey
	24	SG = silver grey

*Genesis Series Only.
Other length available on demand.
Please consult your sales representative

Typical Specification

Offered in a variety of colors and lengths, Lumacell suspension kits are designed to facilitate the installation of exit signs at regular mounting heights.

Compatible with both horizontal and sloped ceilings, this suspension kit is truly universal and will adapt to any application.

Please consult your sales representative.

EZ2 Canopy

Quick & Easy Installation



The EZ2 canopy allows the installer to make all of the electrical connections using both hands without having to juggle with the exit sign, making it our most contractor friendly product feature to date.

Simply attach the plate to the junction box, clip the canopy on the EXIT sign, hang the canopy on the back plate, make your connections, using both hands, slide the unit in place, one screw and the job is done!

Dimensions

