

SOW4T Series

NEMA-3R Certified Bilingual Exit Sign

Water, dust and oil-resistant exit sign.



Features

- Certified NEMA-3R
- Gasketed fiberglass housing designed specifically for industrial applications
- Grey finish is standard
- Sealed, vandal-resistant polycarbonate faceplate
- Long-life, even illumination of "EXIT SORTIE" or "SORTIE EXIT" legend provided by energy efficient, **AllnGaP** technology LED light source consuming less than 6watts per face
- Wall or ceiling mounting; wall or ceiling brackets available for easy installation
- Normal AC and emergency DC operation
120 to 347volts AC input; 6 to 24 DC input
- CSA certified, meets or exceeds C860 requirements



Typical Specification

Supply and install Lumacell LEREOB12L or LRSOB12L Bilingual Led exit sign. The equipment shall operate with universal two-wire AC input voltage from 120Vac to 347Vac a less than 3watts per face and universal two-wire DC input voltage from 6Vdc to 24Vdc at less than 3watts per face. The housing shall be of grey fiberglass, gasketed, specially designed for industrial environment. The sealed front cover shall be constructed of heavyduty vandal-resistant transparent polycarbonate of 4mm thickness and shall be bent around the back box for increased rigidity. The front cover will feature an even illuminated legend with the text "EXIT" and "SORTIE" positioned one on top of the other.

The light source shall be the new **AllnGaP** technology red LED. The equipment shall be suitable for wall or ceiling mount and be designed specifically for high abuse areas, wet locations, dust and oil-tight applications. The equipment in a self-powered configuration shall stay illuminated during emergency operation for at least 60 minutes upon AC failure.

The equipment shall be NEMA-3R and C-860 approved.

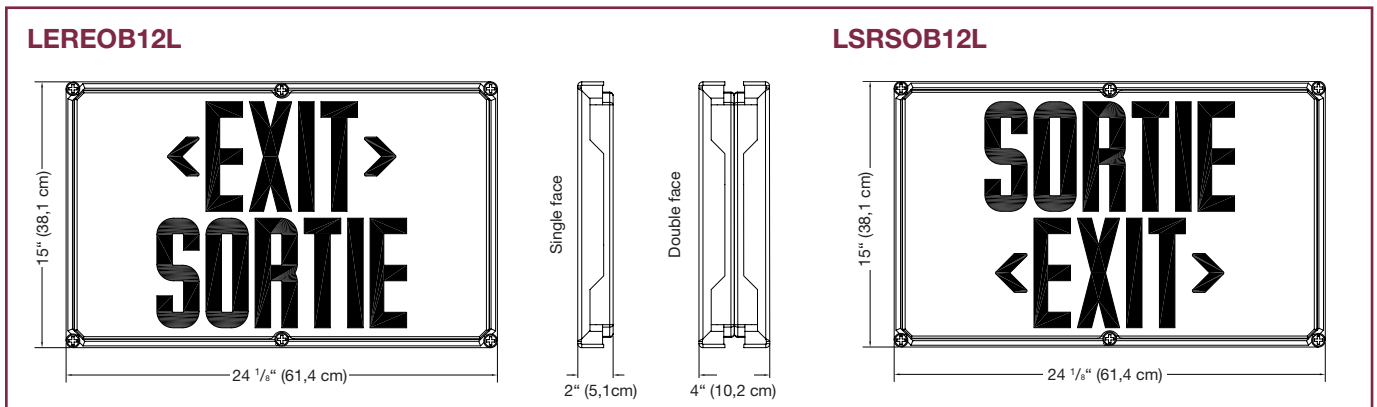
The equipment shall be Lumacell Model:
_____.

Project/Location		Date
Contractor		Prepared by
LUMACELL Model		



LEREOB12L & LSRSOB12L SERIES

Dimensions



Wire Guards

460.0103-L	Wall Mount
460.0104-L	Ceiling Mount

Power Consumption

Model	AC Specs		DC Specs	
	AC/DC, red	120 to 347Vac	Less than 3W	6 to 24Vdc
Self-powered, red	120 to 347Vac	Less than 6W	NiCad battery	Min. 60 minutes

NOTE: Double-face models have double the power consumption above.

Ordering Information

Series	Lettering	Voltage
LEREO1W4T = single face NEMA-3R, EXIT/SORTIE	B12L = bilingual	UNIV = 120 - 347Vac, 6 to 24Vdc SP = 120 to 347Vac, self-powered
LEREO2W4T = double face NEMA-3R, EXIT/SORTIE		
LSRSO1W4T = single face NEMA-3R, SORTIE/EXIT		
LSRSO2W4T = double face NEMA-3R, SORTIE/EXIT		

EXAMPLE: LEREO1W4TB12LUNIV