

900 Series

Bilingual Extruded Aluminum Exit Sign

Architectural, aesthetically-pleasing slim-line LED exit sign.



Features

- Thin profile, 2-piece extruded aluminum housing simply slides together
- Available in single or double face
- Custom wording available on request
- Pre-specified mounting
- Universal, field-selectable chevrons (knockout)
- Indirect refractive technology provides bright, even illumination
- Long-life, **AllnGaP** technology energy-efficient LED light source
- Energy efficient – consumes less than 7watts in AC or DC mode
- Normal AC and emergency DC operation – 120, 277 or 347volts AC input; 6 to 24volts DC input
- CSA certified, meets or exceeds C860 requirements



Typical Specification

Supply and install the Lumacell LER900B6L or LSR900B6L Series LED exit sign. The equipment shall operate with universal AC input voltage of 120, 277 or 347Vac at less than 1.5watts and universal two-wire DC input voltage from 6Vdc to 24Vdc at less than 2.5watts for single and double face signs. The exit sign shall consist of a two-piece white extruded aluminum combined body/faceplate with a maximum depth of 1 1/4". The exit shall also include extruded aluminum end caps with white gaskets in order to provide protection to the internal components and eliminate any possible light leaks. The exit fixture shall be either single or double-faced as shown on the drawings. The faceplate shall be of a stencil design and will have 6" high letters with a 3/4" stroke indicating both EXIT and SORTIE side by side. The canopy shall fasten to the exit body for ease of installation in either ceiling or wall mount.

The fixture shall contain a light source, which shall be LED with a long life and shall consist of separate AC and DC LED sources in the case of AC/DC-remote equipment. Red LED technology shall be **AllnGaP**.

The exit sign in a self-powered configuration shall be equipped with a nickel cadmium battery and shall stay illuminated during emergency operation for at least two hours upon AC failure.

The exit sign shall be CSA-C860 approved.

The equipment shall be Lumacell Model:

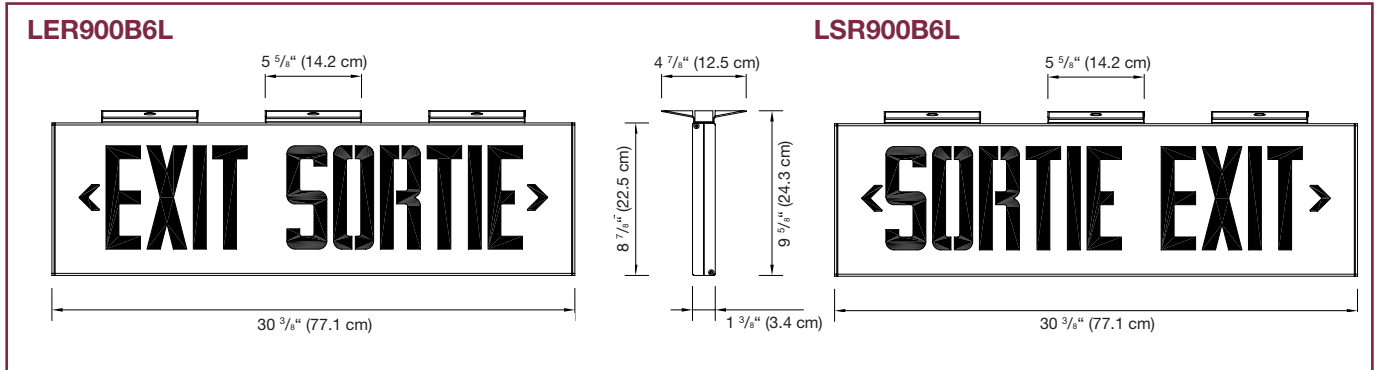
_____.

Project/Location		Date
Contractor		Prepared by
LUMACELL Model		



LER900B6L & LSR900B6L SERIES

Dimensions



Wire Guards

460.0059-L	Wall Mount
460.0092-L	Ceiling Mount

Power Consumption

Model	AC Specs		DC Specs	
AC/DC standard, red	120/347Vac	Less than 2W	6 to 48Vdc	Less than 3W
AC/special DC, red	120/277/347Vac	Less than 2W	36 or 48 or 120Vdc	Less than 6W
120Vac/DC, two wires, red	120Vac	Less than 6W	120Vdc	Min. 6W
Self-powered, red	120 or 347Vac*	Less than 7W	NiCad Battery	Min. 2 hours

*AC/DC input voltage to be specified. For other values, please consult the factory.

Ordering Information

Series	Faces	Approval	Colour	Voltage	Options
LER9= EXIT SORTIE	00= single face, wall mount	B6LC860	Blank= polar white	UNIV= 120/277/347Vac, 6 to 24Vdc	Blank= no options TP= tamper proof screws *990.0119-L= tamper proof bit
LSR9= SORTIE EXIT	10= single face, ceiling mount		BK= black	UNIV36= 120/277/ 347Vac, 36Vdc	
	30= double face, ceiling mount		BA= brushed aluminium	UNIV48= 120/277/ 347Vac, 48Vdc	
			TA= textured aluminium	UNIV120= 120/277/ 347Vac, 120Vdc	
				SP= 120Vac, self-powered	
				120VACDC= 120Vac, 120Vdc, 2 wires	
				SP347= 347Vac, self-powered	

* One bit needed per order.

EXAMPLE: LER900B6LC860UNIV