

LSR23 Series

Aluminum Slim Edge-lit Exit Sign

Slim-profile edge-lit LED exit sign.



Features

- Extruded aluminum housing
- Die-cast aluminum canopy
- Universal surface mounting: wall, ceiling or end mount
- Click-to-open housing door allows easy access to the panel and electrical wiring
- Acrylic panel with curved contour
- Legend with six-inch letters and easy to add-on directional indicators
- Simple, two-wire universal AC input (120V to 347Vac 60Hz) prevents installation errors
- Simple, two-wire universal DC input: 6V to 24Vdc
- Long-life LED light source of AllnGap technology assures low maintenance costs
- Energy efficient power consumption: less than 3watts in AC or DC mode
- Self-powered models provide 90 minutes of emergency illumination
- CSA certified, meets or exceeds C860 requirements



Typical Specification

Supply and install the Lumacell LSR23 series LED slim-profile edge-lit exit sign. The unit shall operate with universal two-wire AC input voltage from 120Vac to 347Vac at less than 2watts and universal two-wire DC input voltage from 6Vdc to 24Vdc at less than 1.5watts for single and double face legends.

The housing assembly shall be fabricated of extruded aluminum with a textured finish and _____ color. The canopy shall be of die-cast aluminum and allow for ceiling, wall, or end mount installation. The light source shall be 14 (fourteen) long-life LEDs installed on a PCB strip. Red LED technology shall be **AllnGap**. The acrylic panel shall have a curved contour.

The legend shall have six-inch high with ¼-inch stroke red letters on a clear background, unless otherwise specified.

The unit shall be equipped with stick-on translucent directional indicators, to be installed in the field as required by the code. The exit sign in a self-powered configuration shall be equipped with sealed Nickel-Cadmium batteries and will provide a minimum of 90 minutes of emergency illumination upon AC failure.

The equipment shall be CSA-C860 approved.

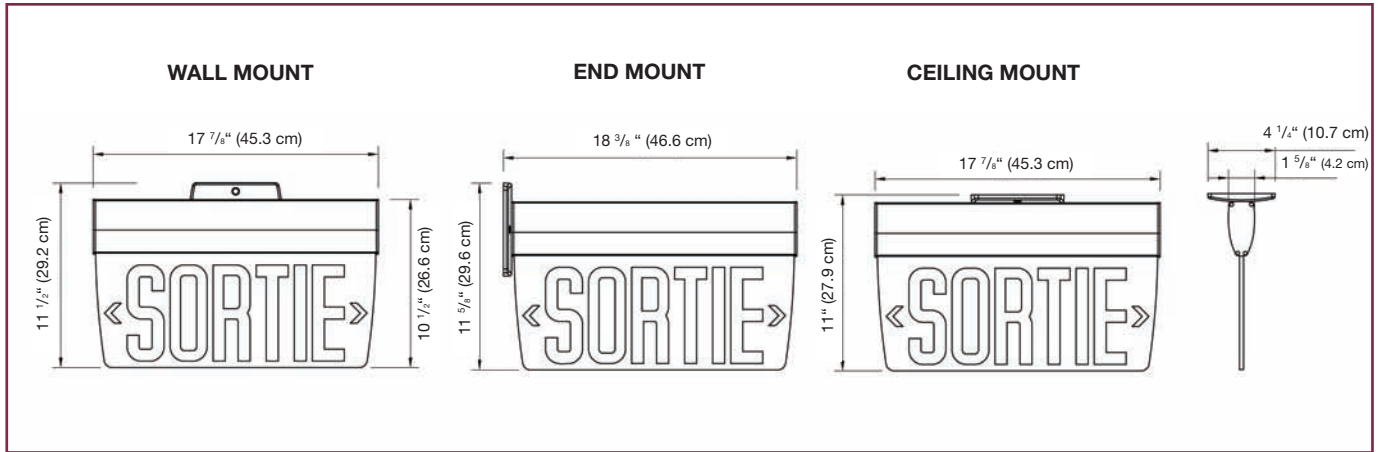
The equipment shall be Lumacell Model:
_____.

Project/Location		Date
Contractor		Prepared by
LUMACELL Model		



LSR23 SERIES

Dimensions



Power Consumption

Model	AC Specs		DC Specs	
AC/DC	120 to 347Vac	Less than 2W	6 to 24Vdc	Less than 1.5W
Self-powered	120 to 347Vac	Less than 3W	Ni-Cad battery	Min. 90 minutes

Ordering Information

Series	Housing Colour	Faceplate Colour	Voltage
LSR2301 = Single face	TA = Textured aluminium	RC = red/clear*	AC = AC only
LER2302 = double face		RW = red/white	ACD = AC/DC
	OW = Off-White	RM = red/mirror	SP = self-powered
	* Other colors available. Consult your sales representative.	* Not available on double face.	

EXAMPLE: LSR2301TARCACD