

LT Series

Power Free Exit Sign

Self-luminous, independent operation exit sign.



Features

- Illumination provided by borosilicate glass tubes, internally coated with zinc sulphide phosphor and filled with tritium gas
- Minimum brightness at time of manufacture is 0.132 foot-lambert (0.452 cd/m²)
- Decorative, slim-line heavy-duty ABS housing
- Rugged, impact-resistant polycarbonate face
- Spark free construction
- Simple installation – universal direction capability, comes complete with universal mounting hardware
- Stands up to extreme temperatures in outdoor or indoor applications
- Standard 12-year life expectancy. 15-year life expectancies available as an option



Made in Canada

Typical Specification

Supply and install Lumacell LTEU (EXIT) or LTSU (SORTIE) Series self-luminous exit signs. The exit shall be constructed of a thermoplastic housing and be corrosion proof. The sealed housing will incorporate no loose or removable parts allowing for easy installation. The standard expected life shall be 12 years with a minimum guaranteed life of 10 years.

The standard mounting brackets will allow for either end/ceiling or wall mount. Standard signs shall be supplied with red face, grey frame and white letters that are 6" high by 3/4" stroke. The initial average minimum brightness shall be .132 foot-lambert (0.452 cd/m²).

The equipment shall be Lumacell Model:

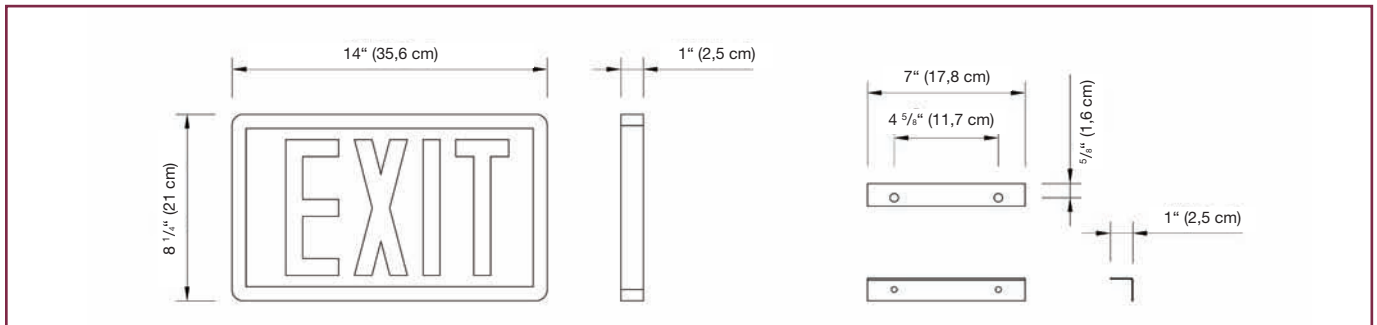
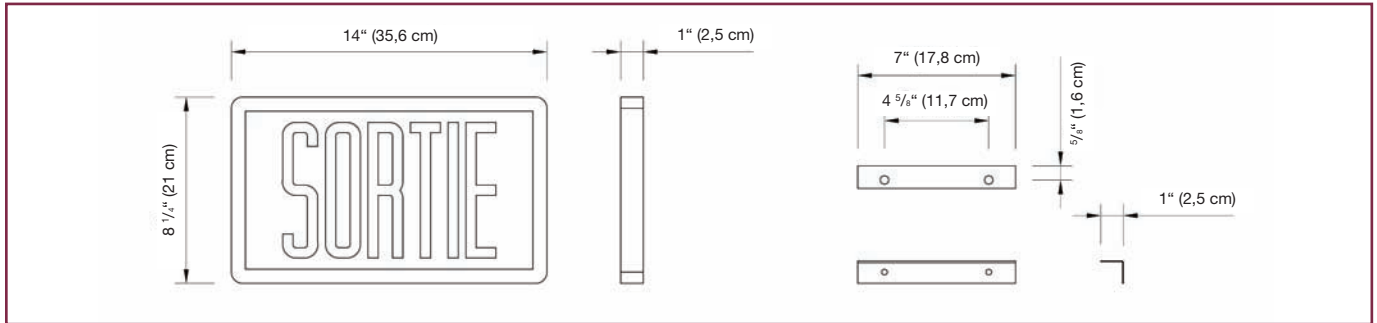
_____.

Project/Location		Date
Contractor		Prepared by
LUMACELL Model		



LT SERIES

Dimensions



Wire Guards

460.0079-L	Wall Mount
460.0027-L	End Mount
460.0028-L	Ceiling Mount

Ordering Information

Series	Faceplates/Mounting	Housing Colours	Life Years	Options
LTEU = EXIT	1 = single face, universal mount	Blank = grey WH = white B = black	Blank = 12 years 15 = 15 years*	Blank = no options
LTSU = SORTIE				SW = special wording
LTB3LE/S = EXIT SORTIE	2 = double face, universal mount			GN = green background
LTB3LS/E = SORTIE/EXIT				

*Not available in SORTIE

EXAMPLE: LTEU1