

400 Series

Extruded Aluminum Combo Unit – 6/12V

Multi-purpose, moderately-priced combination unit



Features

- Rugged extruded aluminum housing, painted factory white
- Extruded aluminum faceplate with a maximum depth of 2-1/2”
- Universal, field-selectable chevrons (knockout)
- Long-life, energy-efficient LED light source mounted inside exit housing, not on face
- Steel housing, for lamp module (power pack)
- Completely self-contained unit with rechargeable sealed lead battery
- Lamp heads require no tools to adjust or aim
- Provides a minimum of 30 minutes of illumination (lamp heads and exit sign) in emergency mode
- CSA certified, meets or exceeds C860 requirements

NEXUS



Typical Specification

Supply and install the Lumacell 3LSR400 LED “SORTIE” exit sign with power pack combination series. The exit housing and the faceplate(s) shall be constructed of rugged extruded aluminum. The exit sign shall have a maximum depth of 2-1/2” (6.35cm). The faceplate(s) shall come standard with knockout chevrons.

The light source shall be light emitting diodes (LED). Red LED technology shall be **AllnGaP**. The LED lamps shall provide illumination in normal and emergency operation and shall be mounted inside the exit housing, not on the face. An LED-sensitive diffuser shall be mounted behind the legend to provide the 6” (15cm) high by 3/4” (1.9cm) stroke letters with even illumination.

The power pack shall be a completely self-contained emergency unit with its own charger and rechargeable battery. The housing shall be made of

steel. The unit shall be designed to furnish exit illumination from the normal AC source. When a power failure occurs, the mounted heads along with the exit sign are illuminated in emergency mode for a minimum of 30 minutes. The power pack is furnished with a test switch and high charge pilot light and is available as either 36 or 72watts. The heads shall require no tools to adjust and aim. The heads will be constructed of polycarbonate and include 6 volt, 9 watt lamps or as otherwise specified.

The exit sign shall be CSA-C860 approved.

The equipment shall be Lumacell Model:

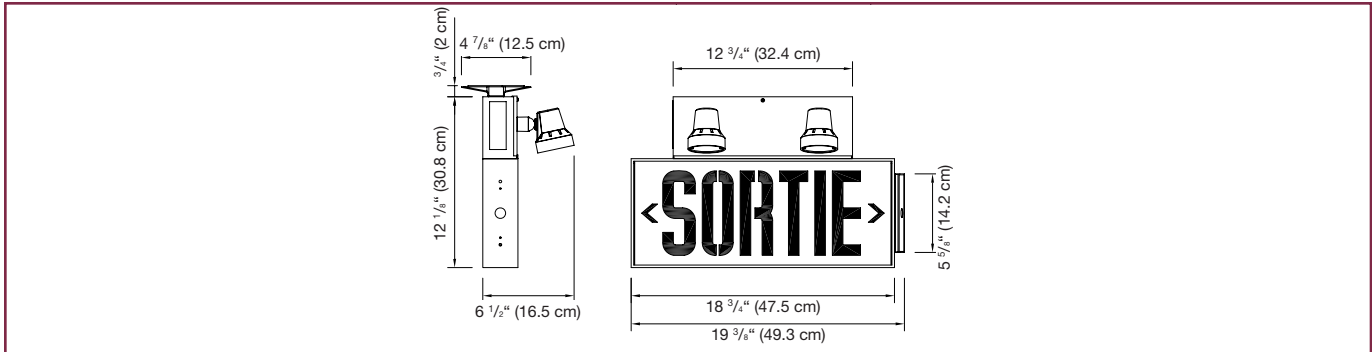
_____.

Project/Location		Date
Contractor		Prepared by
LUMACELL Model		



3LSR400 SERIES

Dimensions



Wire Guards

460.0081-L	Wall Mount
460.0060-L	Ceiling Mount

Power Consumption and Unit Rating

Model	AC Specs	Wattage Capacity					
		30min	1h00	1h30	2h00	4h00	
SORTIE Sign Module	120/347Vac	Less than 2W	-	-	-	-	-
1LSR		0.15/0.05 Amp	18	10	7	6	3
3LSR		0.15/0.05 Amp	36	21	15	12	6
5LSR		0.18/0.07 Amp	72	42	30	24	12
6LSR		0.18/0.07 Amp	36	21	15	12	6
7LSR		0.15/0.05 Amp	72	42	30	24	12

Ordering Information

Series	# Faces	Approval	# of Heads	Head Style Wattage	Colour	Voltage	Options	
1LSR= 6V-18W	450= single face	C860	Blank= no heads	MT9W= micro-tungsten, 9W MQ8W= micro-halogen, 8W	Blank= factory white	Blank= 120/347Vac	Blank= no options	
3LSR= 6V-36W	460= double face		1= one head	MQ12W= micro-halogen, 12W MQM6W= micro-MR16, 6W (6V only)	*SG= silver grey BK= black	ZC= 277Vac	AT= Auto-Test TD= time delay	
5LSR= 12V-72W			2= two heads	MQM10W= micro-MR16, 10W (6V only) MQM12W= micro-MR16, 12W (12V only)	*BA= brushed aluminum TA= textured aluminum		*RRT= remote test receiver HHC= remote test transmitter	
6LSR= 12V-36W				MQM20W= micro-MR16, 12W (12V only)			NEX= Nexus® system interface	
7LSR= 6V-72W							*Remote test transmitter needed. **One per order	
					*Other styles available. Consult your sales representative.		*Heads available in white or black only. Please specify.	

EXAMPLE: 1LSR450C860MT9W