

SOW4T Series

NEMA-3R Certified Combo Unit

Water, dust and oil resistant “SORTIE” exit sign combo



Features

- **Certified NEMA-3R** for wet locations.
- Heavy-duty, gasketed fiberglass reinforced housing, designed specifically for industrial applications.
- Sealed, vandal resistant polycarbonate faceplate.
- Fully integrated unit with charger and rechargeable battery.
- Solid state charger circuitry – capable of full recharge within 24 hours.
- Low voltage disconnect circuitry.
- Sealed, dust-tight transfer relay.
- Long life, uniform illumination of the exit sign “SORTIE” legend is provided by an energy efficient, LED light source consuming less than 3watts per face.
- Illumination is provided by AllnGaP technology LEDs.
- Power pack includes a magnetic test switch and high charge pilot light.
- Compatible with PAR36 lamps or sealed tungsten/ halogen lamps. Teflon coated lenses available in option.
- Upon AC failure, the long life nickel-based sealed battery provides the exit sign and emergency lights a minimum of 30 minutes of operation in emergency mode.



Made in Canada



Typical Specification

The housing shall be constructed of fiberglass. Gasketed, it will be designed specially for industrial environments. The faceplate shall be constructed of heavy-duty vandal-resistant transparent polycarbonate of 4mm thickness and shall be bent around the back box for increased rigidity. It shall feature a legend with the word “SORTIE” and the light source providing even illumination of the legend shall be the new **AllnGaP** technology red LEDs.

The combo shall be a self-powered emergency unit with its own charger, rechargeable battery and sealed PAR36 emergency lights. It shall be designed to provide normal AC illumination and upon AC failure, the exit sign shall remain illuminated in emergency mode during a minimum 30 minutes. The power pack shall include a magnetic test switch and a high charge pilot light. The combined unit equipment shall be

certified NEMA-3 and designed specifically for applications such as high abuse areas, wet locations, environments requiring dust and oil tight equipment, or subject to cold temperatures. This unit is recommended for schools, parking garages, public places, transit platforms and security areas (jails, etc.).

The exit sign shall be CSA-C860 approved.

The equipment shall be Lumacell Model:

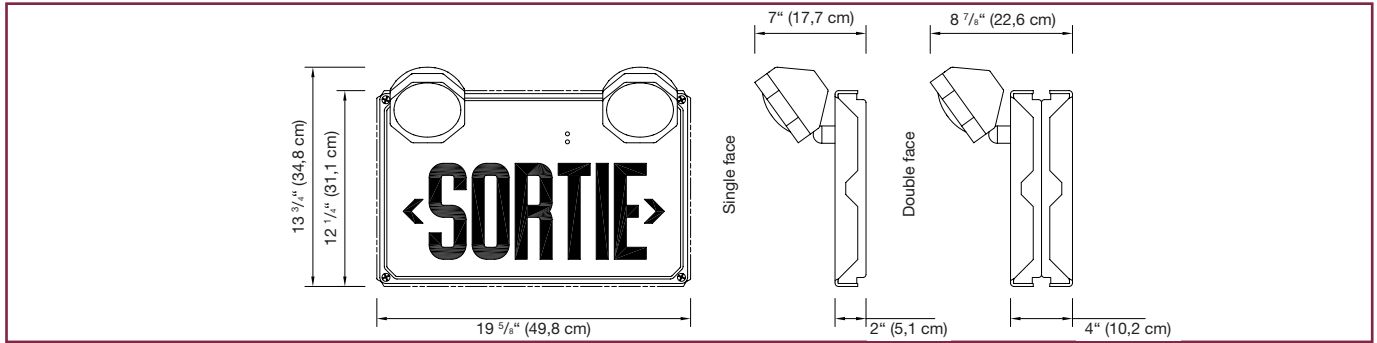
_____.

| | | |
|------------------|--|-------------|
| Project/Location | | Date |
| Contractor | | Prepared by |
| LUMACELL Model | | |



3LSRSOW4T SERIES

Dimensions



Wire Guards

| | |
|------------|---------------|
| 460.0034-L | Wall Mount |
| 460.0104-L | Ceiling Mount |

Power Consumption and Unit Rating

| Model | AC Specs | | Wattage Capacity | | | | |
|---------------|------------|---------------|------------------|------|------|------|------|
| | | | 30min | 1h00 | 1h30 | 2h00 | 4h00 |
| 3LSRSO | 120/347Vac | 0.15/0.06 Amp | 36 | 21 | 15 | 12 | 6 |
| 7LSRSO | | 0.15/0.06 Amp | 72 | 42 | 30 | 24 | 12 |

Ordering Information

| Series | Approval | # of Heads | Lamp type/Wattage | Voltage | Options |
|--|---|---|---|------------------------------|---|
| 3LSRSO1W4T = 6V-36W, SORTIE, single face | C860 | 1 = one head 2 = two heads | LH9W = par 36, tungsten, 6V, 9W | Blank = 120/347Vac | Blank = no options TC = teflon coated lens |
| 3LSRSO2W4T = 6V-36W, SORTIE, double faces | | | LH18W = par 36, tungsten, 6V - 18W | | |
| 7LSRSO1W4T = 6V-72W, SORTIE, single face | LH25W = par 36, tungsten, 6V - 25W | | | | |
| 7LSRSO2W4T = 6V-72W, SORTIE, double faces | LHQ8W = par 36, halogen, 6V - 8W | | | | |
| | LHQ12W = par 36, halogen, 6V - 12W | | | | |
| | LHQ20W = par36, halogen, 6V - 20W | | | | |
| | SB9W = tungsten, sealed beam, 6V - 9W | | | | |
| | SB18W = tungsten, sealed beam, 6V -18W | | | | |
| | SB25W = tungsten, sealed beam, 6V - 25W | | | | |
| | QSB8W = halogen,sealed beam, 6V - 8W | | | | |
| | QSB12W = halogen,sealed beam, 6V,12W | | | | |
| | QSB20W = halogen,sealed beam, 6V,20W | | | | |

EXAMPLE: 3LSRSO1W4TC8601LH9W