

LM*C Series

All Metal Exit Sign

Labour-saving combination unit



Features

- Combination Exit Sign and Power Pack
- Now with dual input voltages 120/347Vac
- Based on a modular design concept, this combo unit comes pre-assembled for quick, easy installation
- Metal stencil plate with red letter panel
- Universal mounting – end, wall or ceiling
- Easy access to wiring entry for all mounting options
- Canopy mounting system designed specifically for ease of installation
- Universal, field-selectable chevrons (knockout)
- Long-life, energy-efficient, **AllnGaP** LED light source
- Energy efficient – complete unit consumes less than 3.5watts
- Completely self-contained combo unit with sealed lead battery provides a minimum of 30 minutes of emergency lighting
- Power pack comes standard with test switch and high charge pilot light and is available in either 28, 44 or 72watts
- CSA certified, meets or exceeds C860 requirements

N E X U S



Typical Specification

Supply and install the Lumacell LM*CS LED "SORTIE" exit sign with power pack series. The exit housing and the faceplate(s) shall be constructed of steel. The exit sign shall have a maximum depth of 2-1/2" (6.35cm). The faceplate(s) shall come standard with knockout chevrons.

The light source shall be light emitting diodes (LED). Red LED technology shall be **AllnGaP**. The LED lamps shall provide illumination in normal and emergency operation and shall be mounted inside the exit housing, not on the face. An LED-sensitive diffuser shall be mounted behind the legend to provide the 6" (15cm) high by 3/4" (1.9cm) stroke letters with even illumination.

The power pack shall be a completely self-contained emergency unit with its own charger and rechargeable battery. The housing shall be made of

steel. The unit shall be designed to furnish exit illumination from the normal AC source. When a power failure occurs, the mounted heads along with the exit sign are illuminated in emergency mode for a minimum of 30 minutes. The power pack is furnished with a test switch and high charge pilot light and is available as either 36 or 72watts.

The heads shall require no tools to adjust and aim. The heads will be constructed of durable thermoplastic and use 6volt, 9watt lamps or as otherwise specified.

The exit sign shall be CSA-C860 approved.

The equipment shall be Lumacell Model:

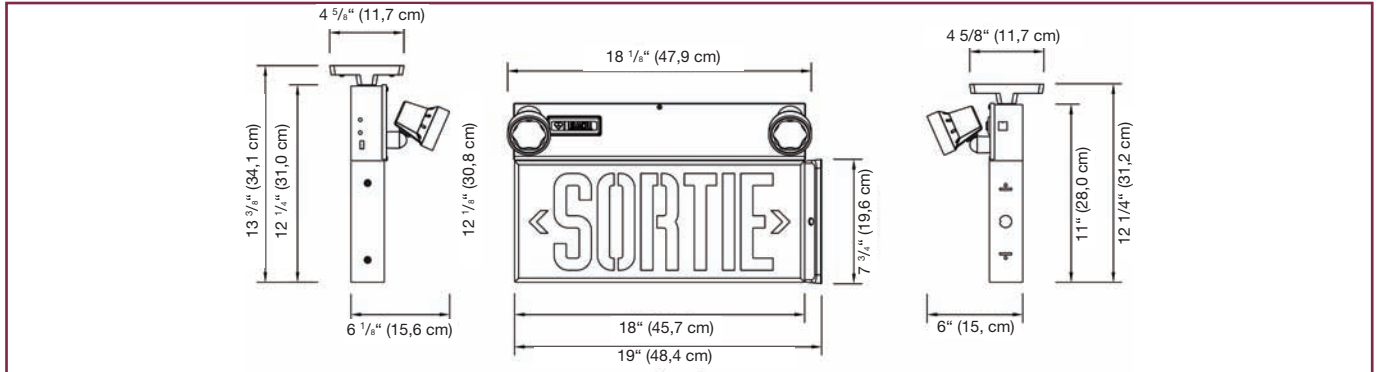
_____.

Project/Location		Date
Contractor		Prepared by
LUMACELL Model		



LMC*S SERIES

Dimensions



Wire Guards

460.0078-L	Wall Mount
460.0060-L	Ceiling Mount

Power Consumption and Unit Rating

Model	AC Specs		Wattage Capacity				
			30min	1h00	1h30	2h00	4h00
SORTIE Sign Module	120/347Vac	Less than 2W	-	-	-	-	-
LM27	120/347Vac	0.25/0.08 Amp	27	15	12	9	-
LM50	120/347Vac	0.25/0.08 Amp	50	30	20	16	8
12LM50	120/347Vac	0.25/0.08 Amp	50	30	20	16	8
12LM80	120/347Vac	0.25/0.08 Amp	80	45	36	27	12

Ordering Information

Series	Approval	# of Heads	Head style Wattage	Colour	Voltage	Options
LM27= 6V-27W	CS1= single face wall-or ceiling-mount	Blank= no heads	MT9= micro-tungsten, 9W MQ8= micro-halogen, 8W	W= factory white	Blank= 120/347Vac	Blank= no options
LM50= 6V-50W		1= one head	MQ12= micro-halogen, 12W	B= black		T1= time delay (5 min)
12LM50= 12V-50W	CSU= universal mounting with metallic canopy complete with two face plates	2= two heads	MQM6= micro-MR16, 6V 6W (6V only)	*G= silver grey		T2= time delay (10 min)
12LM80= 12V-80W			MQM10= micro-MR16, 10W (6V only)			T3= time delay (15 min)
			MQM12= micro-MR16, 12W (12V only)			TP= tamper proof screws
			MQM20= micro-MR16, 20W (12V only)			*990.0119-L= tamper proof bit
			Other styles available. Consult your sales representative.	*Heads available in white or black only. Please specify. Other colours available, consult your sales representative		NEX= Nexus® system interface
						*One bit needed per order.

EXAMPLE: LM27CS1MT9W