

PRISM Battery Unit

Rapid installation, decorative thermoplastic



Features

- Impact-resistant thermoplastic construction
- Pre-wired AC Quick connect plug for fast and easy installation
- Wall or ceiling mount
- 6 volts, 7.2 watts high-intensity, wedge-based lamps
- 120Vac standard input
- Fully automatic, solid-state charger with low voltage battery disconnect, brownout protection, integral test switch and long-life LED AC-On pilot lights
- Instantaneous transfer
- Maintenance-free, sealed lead calcium battery with life expectancy of 5 years
- CSA C22.2 No. 141 certified



Typical Specification

The contractor will install the Lumacell Prism™ RZ Series battery unit. The emergency lighting system shall consist of fully automatic equipment with two 7.2 watts emergency lighting lamps. Each unit shall contain a fully automatic, solid-state charger with test switch and AC-on pilot lights.

The unit shall contain a sealed transfer circuit and low-voltage disconnect circuit. The battery shall be 6 volts with design life of 5 years with a capacity of ___ watts for 30 minutes. The unit shall be CSA C22.2 no 141.

The unit shall be Lumacell model:

_____.

Project/Location		Date
Contractor		Prepared by
LUMACELL Model		

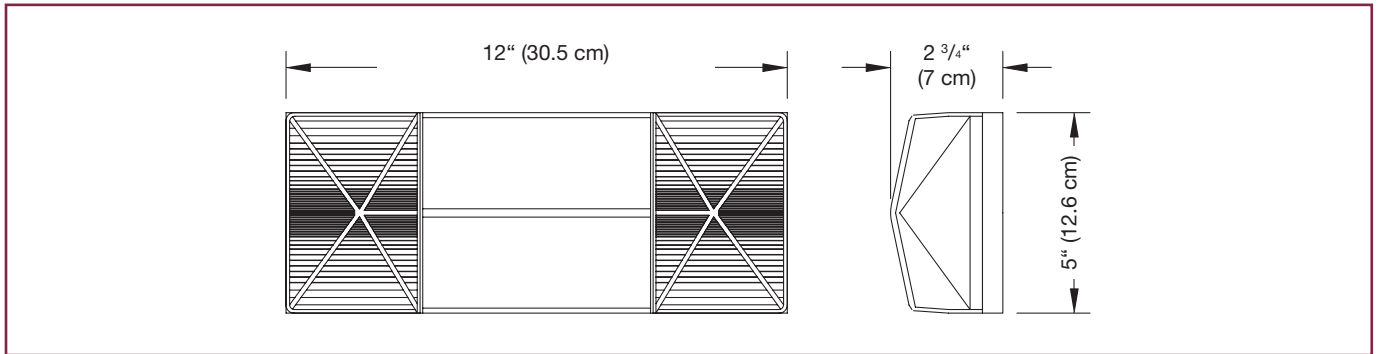


Wire Guard

PRISM RZ SERIES

460.0100-L Wall or Ceiling Mount

Dimensions



Power Consumption and Unit Rating

Model	AC Specs		Wattage Capacity				
			30min	1h00	1h30	2h00	4h00
RZ4	120/347 Vac	0,06/0.02 Amp	18	10	7	6	-
			29	17	12	10	-

Replacement Lamp

Ordering Code	Lamp Type	Voltage-Wattage
570.0012	Tungsten, wedge base	6V - 5.4W

Ordering Information

Series	Unit Capacity	AC Voltage	Options
RZ4	6V= 6V - 29W	Blank= 120/347 Vac	Blank= no options LC= line cord (120V only)
			*One bit needed per order.

EXAMPLE: RZ46V