

SIPL Series

Sturdy construction, easy installation, wet location fluorescent fixture in 2' version



Features

- Normally On fluorescent fixture
- IP65 rated
- Polycarbonate enclosure and lens, vandal resistant and UV stabilized
- Rust proof hardware
- Ceiling, surface or pendant mounting
- Low profile, less than 4" deep
- Ultra efficient specular reflector with optimized shape
- 17W T8 or 24W T5HO
- High efficiency and reliable electronic ballast
- 120Vac to 277Vac universal and 347Vac input voltage available
- CSA certified to CAN/CSA-E60598-1:02
- Certified for wet and damp locations
- Certified for AC or DC, 120V operations



Typical Specification

Supply and install Lumacell SIPL Series of fluorescent fixtures as specified.

The luminaire shall operate from 120Vac to 277Vac or 347Vac and use high quality instant start or 3-step programmed rapid start high efficiency electronic ballasts.

The body and lens shall be constructed of UV stabilized industrial grade vandal resistant polycarbonate. A durable formed gasket shall be provided between the enclosure and the lens and shall be designed specifically for hostile environments. The reflector shall be made of highly specular material and formed to maximize light output efficiency. All parts shall be corrosion resistant. A metal plate used to retain the ballast and reflector also serves to dissipate heat, therefore lengthening ballast life.

Lamps shall be as specified, either T8 or T5 HO linear fluorescent lamps, 17W or 24W. The lamps shall not be supplied with the luminaire.

Models with an inverter from the RSFSP/AM series will illuminate one or two lamps during emergency operation for at least 90 minutes upon AC failure. During power outage, dual voltage source (AC/DC) models with an inverter from the RSF series, shall illuminate one lamp while the DC voltage is present.

The fixture shall be CSA approved and meet IP65 designation requirements. The inverters of RSF series shall be CSA approved. The inverters of the RSFSP/AM series shall be CSA or cUL approved.

The fixture shall be Lumacell Model:

Project/Location		Date
Contractor		Prepared by
LUMACELL Model		

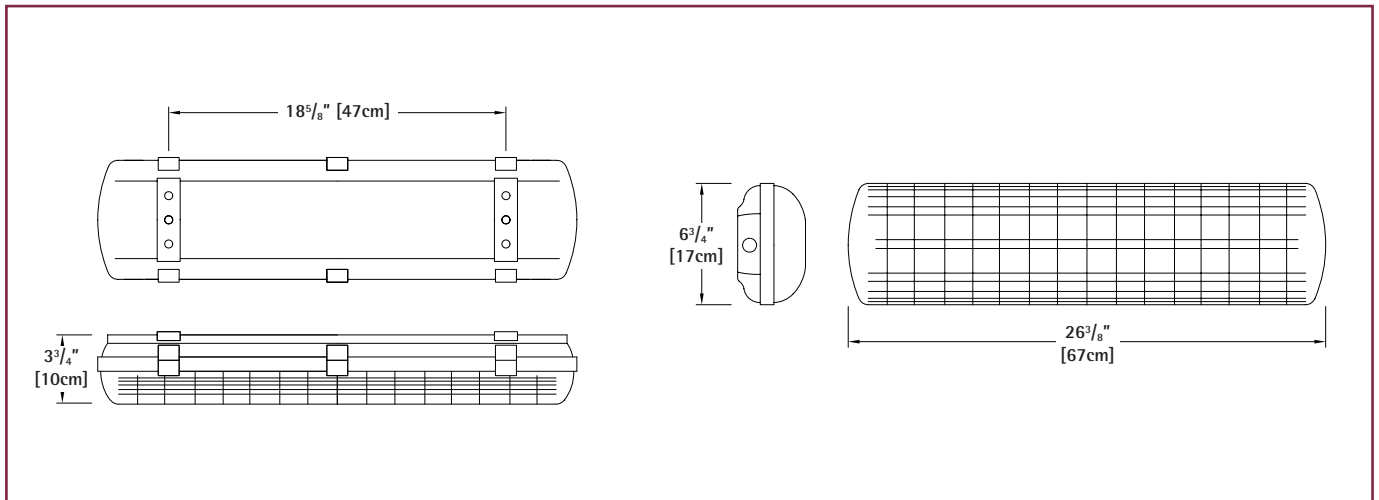


Wire Guard

460.0106-L Wall or Ceiling Mount

SIPL SERIES

Dimensions



Input Rating

Unit #	Input	Current
SIPL8	120 - 277/347Vac	0.47/0.20/0.1A
	120Vdc	0.3A
SIPL5	120- 277/347Vac	0.5/0.22A

Ordering Information

Series	Lamp Type*	Voltage
SIPL= Vapour Proof 24"	<p>8= 2 F17T8 17W T8 lamps 5= 2 T5HO 24W T5 lamps**</p> <p>* Lamps not included ** Consult your sales representative for DC operation</p>	<p>Blank= 120/277Vac 3= Ac only 347Vac DC= 120/277Vac/Vdc</p>

EXAMPLE: SIPL8