

RS / RS20 / RS30T Remote Fixtures

Surface Mounted Series



Features

- PAR36, surface-mounted, large remote fixtures
- Single, double or triple head
- Positive aim swivel
- CSA certified to C22.2 N°50.



Single,
regular head



Single,
metal head



Typical Specification

Base and remote head are injection-molded thermoplastic, shockproof and flame retardant. Shall be supplied factory white or black. The setting point shall provide visual indication of the light distribution.

The fixture shall be supplied with a canopy to be installed on any standard octagonal box. The housing

shall be designed to allow lamp replacement when required.

The remote unit shall be the Lumacell model:
RS _____ .

Project / Location		Date
Contractor		Prepared by
LUMACELL Model		

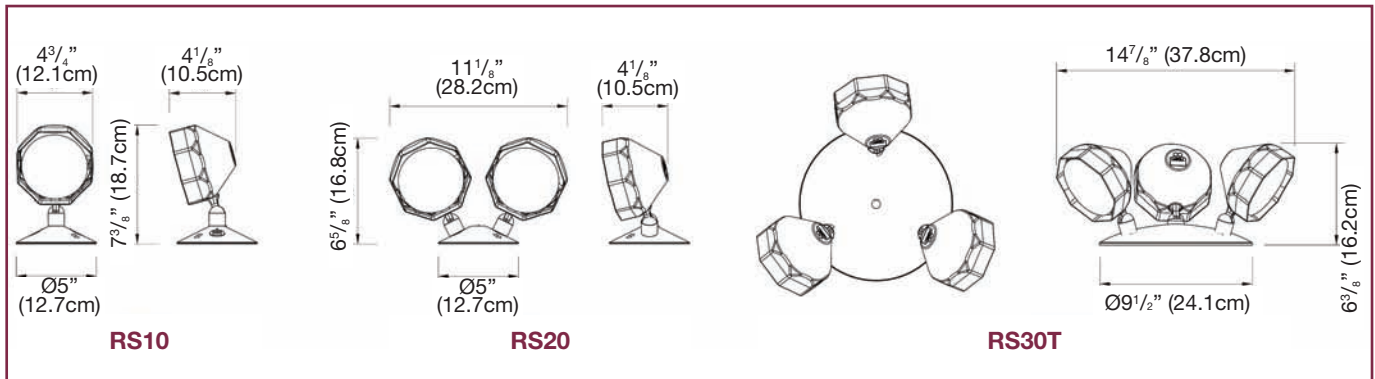


Wire Guards

460.0035-L	Wall Mount (RS10)
460.0082-L	Wall Mount (RS20)
460.0078-L	Wall Mount (RS30T)

RS10 / RS20 / RS30T

Dimensions



Replacement Lamps

Model	Lamp Type	Voltage-Wattage
570.0016-L	Mini tungsten, wedge base	6V-9W
570.0025-L	Mini tungsten, wedge base	12V-9W
580.0023-L	Mini Halogen (quartz), bi-pin	24V-20W

See the complete list p. 196 to 199.

Ordering Information

Series	# of Heads	Voltage/Wattage/Lamp Type	Colour	Options	
RS= PAR36	10= single head	6V9W = 6V-9W, tungsten, wedge base	Blank = factory white	Blank = no options	
	20= doublehead	6V __ W = 6V-18 or 25W, tungsten, DCB	BK = black	TC = teflon coated lens	
	30T= triple head	12V __ W = 12V-9 or 18W, tungsten, wedge base			M = metal head
		12V25W = 12V-25W, tungsten, DCB			
		24V __ W = 24V-9 or 18W, tungsten, wedge base			
		24V25W = 24V-25W, tungsten, DCB			
		Q6V __ W = 6V-8, 12 or 20W, halogen quartz bi-pin			
		Q12V __ W = 12V-8, 12, 20 or 55W, halogen quartz bi-pin*			
		Q24V __ W = 24V-20 or 70W,** halogen quartz bi-pin			
		SB6V __ W = 6V-12, 18 or 25W, tungsten, sealed beam			
		SB12V __ W = 12V-12, 18 or 25W, tungsten, sealed beam			
		QSB6V __ W = 6V-8, 12 or 20W, halogen quartz sealed beam			
		QSB12V __ W = 12V-8, 12 or 37W, halogen quartz sealed beam			
		32V __ W = 32V-18 or 25W, tungsten, DCB			
		120V __ W = 120V-10 or 15W, tungsten, DCB			
		Q120V35W = 120V-35W, halogen, DCB			
Q120V50W = 120V-50W, halogen, DCB**					
		* Only available in high temp heads, grey only			
		**Only available in metal heads			

EXAMPLE: RS106V9W