

# MQM\*HZ Series Remote Fixture

## Hazardous Location



### Features

- Certified Class I Division 2, Groups A, B, C and D as per CSA C22.2 N°. 50 and N°.137-M1981, Class I, Zone 2, Groups IIC, IIB and IIA
- Temperature Codes: T3B (10W and 12W MR16 lamps) and T2C (20W MR16 lamps), as per Canadian Electrical Code, Part I and CSA C22.2 N°.137-M1981)
- Extreme operational temperature range: -40°C to +40°C.
- Choice of single- or double-lamp models.
- High-efficacy MR16 halogen lamps of 10W, 12W and 20W (see specification table)
- Input voltage: 6V, 12V, 24V or 120V
- Fully gasketed die-cast aluminum back plate
- Clear polycarbonate cover, UV and impact resistant
- Easy installation on a 4-inch octagonal box (included)
- Comes standard with tamper-proof screws and bit



Made in Canada



### Typical Specification

Supply and install Lumacell MQM-HZ Series remote emergency lighting fixture. The fixture shall have a single- or double-lamp configuration (as specified) and shall include a fully gasketed die-cast aluminum back plate and a clear heavy-duty UV resistant polycarbonate cover. The fixture shall come standard with a 4-inch octagonal box, stainless steel tamper-proof screws and dedicated screwdriver bit.

The fixture shall be certified for use in hazardous locations Class I, Division 2, Groups A, B, C and D

and shall be listed to CSA C22.2 N°. 50 and CSA C22.2 N°.137-M1981. The fixture shall be rated with a temperature code for the selected lamps as in the table below.

Each lamp in the fixture shall be able to be oriented without tools and should be equipped with MR16 halogen lamp(s) of \_\_\_\_Volts \_\_\_\_ Watts.

The remote unit shall be the Lumacell model:  
MQM \_\_ HZ \_\_\_\_\_.

### In the same family...



RGA

Battery Units p. 120 - 121



MQM-NC

Remote Fixtures p. 168 - 169



MQM-NX NEMA-4X

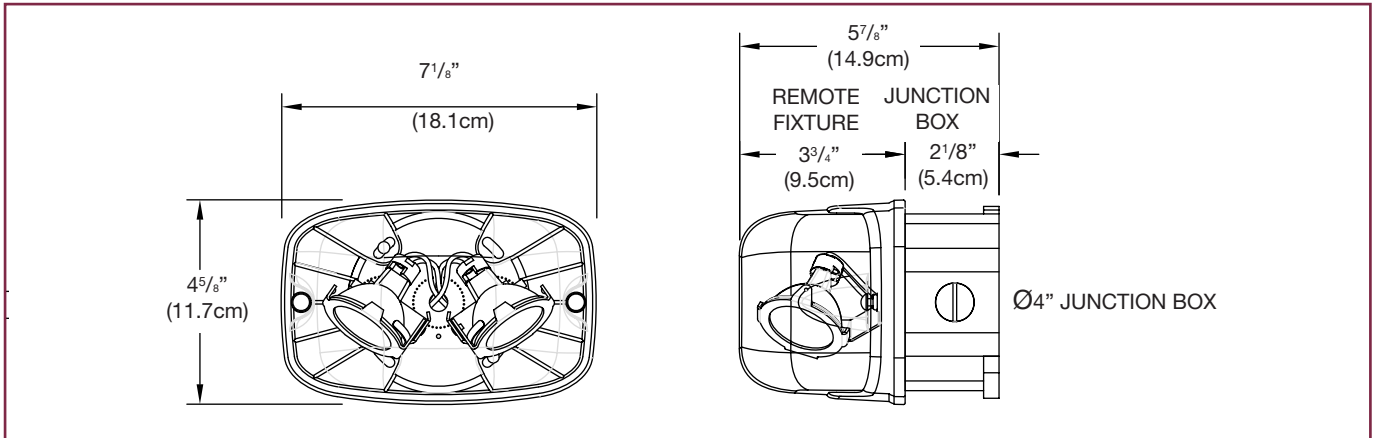
Remote Fixtures p. 190 - 191

Project / Location		Date
Contractor	Prepared by	
LUMACELL Model		



# MQM\*HZ

## Dimensions



## Replacement Lamps

Model	Lamp Type	Voltage-Wattage
580.0079-L	MR16 flood	6V-10W
580.0068-L	MR16-IR flood (High output)	12V-20W
580.0070-L	MR16 flood	24V-20W

See the complete list p. 196 to 199.

## Ordering Information

Series	Voltage/Wattage/Lamp Type	Colour
<b>MQM1HZ</b> = single lamp	<b>6V10W</b> = 6V-10W, MR16	<b>SG</b> = grey
<b>MQM2HZ</b> = double lamp	<b>12V12W</b> = 12V-12W, MR16	
	<b>12V20W</b> = 12V-20W, MR16	
	<b>12V20WH</b> = 12V-20W, MR16 high output	
	<b>24V12W</b> = 24V-12W, MR16	
	<b>24V20W</b> = 24V-20W, MR16	
	<b>120V20W</b> = 120V-20W, MR16	

**EXAMPLE: MQM1HZ6V10W SG**