

MQM-NC Series Remote Fixture

Shielded remote fixture



Features

- Quality illumination requires fewer fixtures.
- Modern design will blend into surroundings.
- Shielded to prevent tampering.
- Easy installation.
- Available in 6V, 12V, 24V or 120V.
- CSA certified to C22.2 N°50.



Typical Specification

Supply and install Lumacell MQM-NC series remote emergency lighting. These remote fixtures will consist of either single or double lamp configurations according to the design and include a die cast aluminum back plate and a clear heavy-duty UV resistant polycarbonate light cover.

The remote fixture shall be certified to CSA C22.2 N°50.

The head(s) shall be fully adjustable and be equipped with high efficiency MR16 halogen lamp(s) of ____ volts, ____ watts.

The remote unit shall be Lumacell model: MQM _____.

In the same family...



RGA

Battery Units p. 120 - 121



MQM-NX NEMA-4X

Remote Fixtures p. 190 - 191



MQM-HZ Class I, Div. 2

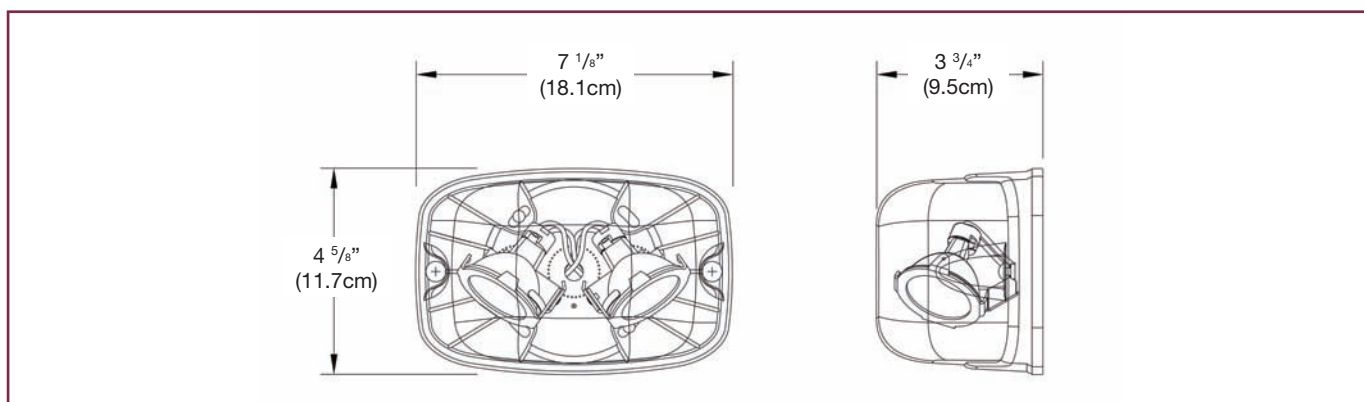
Remote Fixtures p. 194 - 195

Project / Location		Date
Contractor		Prepared by
LUMACELL Model		



MQM-NC

Dimensions



Replacement Lamps

Model	Lamp Type	Voltage-Wattage
580.0079-L	MR16 Flood	6V-10W
580.0080-L	MR16 Flood	12V-12W
580.0077-L	MR16 Flood	24V-20W

See the complete list p. 196 to 199.

Ordering Information

Series	Voltage/Wattage/Lamp	Colour	Options
MQM1NC = one lamp	6V6W = 6V-6W, MR16	Blank = factory white	Blank = no options
MQM2NC = two lamps	6V10W = 6V-10W, MR16	BK = black	TP = tamper proof screws
	12V12W = 12V-12W, MR16	SG = grey	*690.0454-L = tamper proof bit
	12V20WH = 12V-20W, MR16, high output		
	24V12W = 24V-12W, MR16		
	24V20W = 24V-20W, MR16		
	120V20W = 120V-20W, GU10		
	L = 12V-5W, LED		
		* Other colours available. consult your sales representative	*One bit needed per order (must be ordered separately)

EXAMPLE: MQM1NC6V6W