

FlexPole Model PS & PD

A pole for all your needs
Compact, Efficient and Flexible



Features

This snap on all aluminum extrusion is 2" x 15/8" comes complete with a metal barrier between the power and communication sections. Our basic model is supplied with two standard Decor Duplex Recepticals 125V – 15A, 3 Decora knockouts (2 front, 1 back). A 10' line cord and plug with 3 # 14SJT wires is supplied for connecting to receptacle in the ceiling.

The ceiling mounting bracket is engineered to fit any inverted T Bar System. The maximum capacity of the communication section is 4-25 pair or 2-50 pair telephone cables. Lumacell standard finish is grey satin baked enamel.



Made in Canada

Our Basic Model (Dual Compartment)

Lumacell Model "PS" and "PD" FlexPole with its efficient concept easily locates electrical, telephone or computer outlets where most needed. When changing open area office layouts the FlexPole is simply unplugged and relocated. The all aluminum extrusion eliminates the nuisance of transient inductions. Installation is complete with an easy to install ceiling mounting bracket with canopy.

Notes

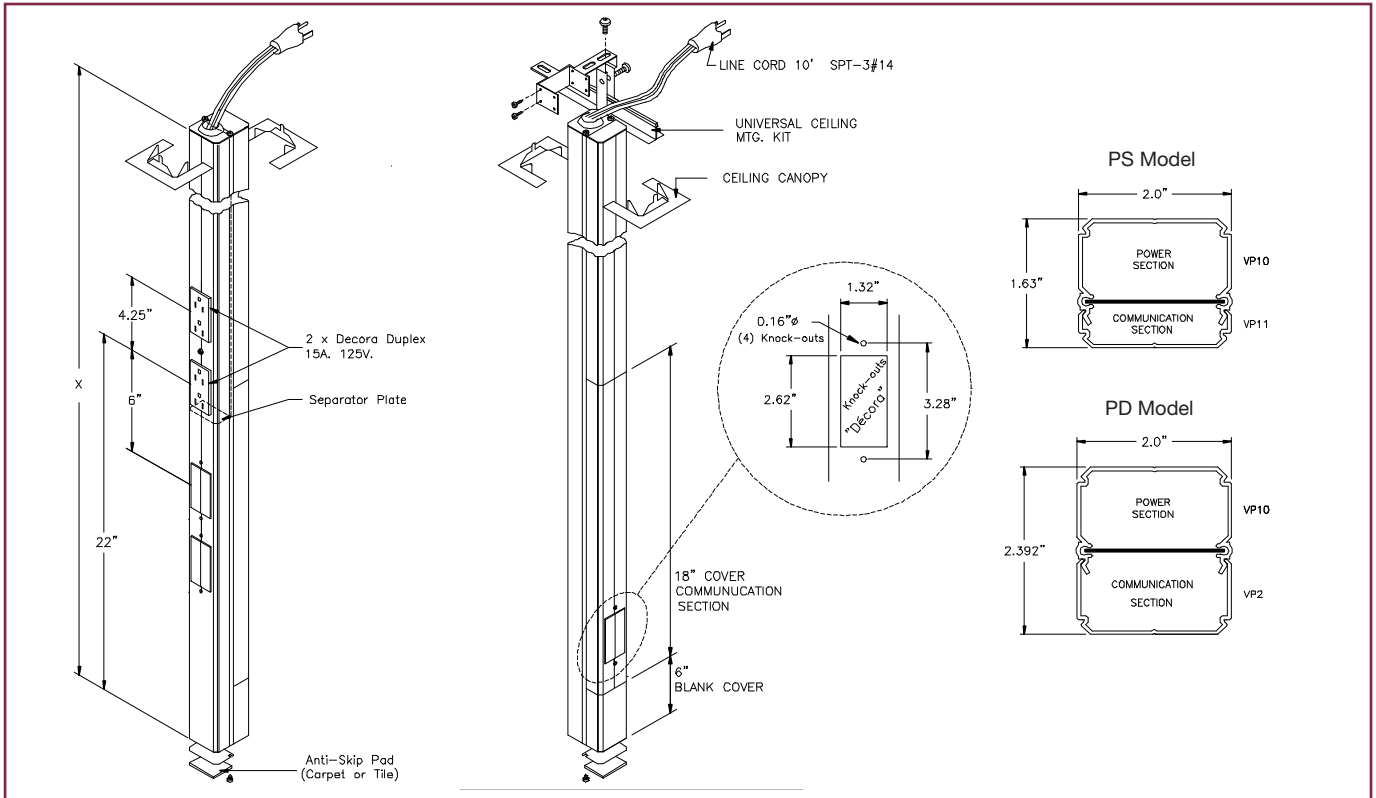
CSA allows a maximum of 2-15A standard duplex receptacles when using a line cord or a maximum of 4 duplex receptacles 15A on 2 separate circuits using a junction box for permanent connection. CSA does not allow use of line cord for isolated ground receptacles. A maximum of 2-IG receptacles per circuit with a maximum of 2 circuits-4 duplex receptacles allowed for isolated ground.

Project / Location		Date
Contractor		Prepared by
LUMACELL Model		



FLEXPOLE PS & PD SERIES

Dimensions



Ordering Information

Series	Pole Height *	Duplex	Options
PS = PS series (small)	86 = 8' 6"	BP = blank pole	DUC = dual circuit
	96 = 9' 6"	R __ = decora duplex receptacle (specify total qty) *	K __ = extra decora KO's* (specify extra quantity)
PD = PD series (deep)	106 = 10' 6"	IG __ = isolated ground duplex receptacle (specify quantity) ** Notes: max 2 duplex per circuit max 2 circuits 15A 125V per pole * R1 and R2 c/w line cord, R3 and R4 c/w junction box and double circuit ** included JB option	BR = barrier **
	12 = 12' 0"		JB = junction box
	126 = 12' 6"		W = white finish
	136 = 13' 6"		*3 decora KO's are standard except on blank pole ** Barrier is standard except on blank pole
	14 = 14' 0"		
	146 = 14' 6"		Accessories
	15 = 15' 0"		LCFP = replacement line cord
	* Standard grey. Other heights available		MKFP = replacement mounting kit

NOTE: Certain options may result in longer lead time. Consult your sales representative.

EXAMPLE: PS96BPBR= 9'6" no duplex c/w barrier
EXAMPLE: PS96R2= 9'6" c/w 2 decora duplex, 3 decora K/O

EXAMPLE: PS96R2K1= 9'6" c/w 2 decora duplex, 4 decora K/O
EXAMPLE: PS11R1= 11'0" c/w 1 decora duplex, 3 decora K/O