

# FlexPole Model PS & PD

A pole for all your needs  
Compact, Efficient and Flexible



## Features

This snap on all aluminum extrusion is 2" x 15/8" comes complete with a metal barrier between the power and communication sections. Our basic model is supplied with two standard Decor Duplex Recepticals 125V – 15A, 3 Decora knockouts (2 front, 1 back). A 10' line cord and plug with 3 # 14SJT wires is supplied for connecting to receptacle in the ceiling.

The ceiling mounting bracket is engineered to fit any inverted T Bar System. The maximum capacity of the communication section is 4-25 pair or 2-50 pair telephone cables. Lumacell standard finish is grey satin baked enamel.

## Our Basic Model (Dual Compartment)

Lumacell Model "PS" and "PD" FlexPole with its efficient concept easily locates electrical, telephone or computer outlets where most needed.

When changing open area office layouts the FlexPole is simply unplugged and relocated. The all aluminum extrusion eliminates the nuisance of transient inductions.

Installation is complete with an easy to install ceiling mounting bracket with canopy.

### Notes

CSA allows a maximum of 2-15A standard duplex receptacles when using a line cord or a maximum of 4 duplex receptacles 15A on 2 separate circuits using a junction box for permanent connection.

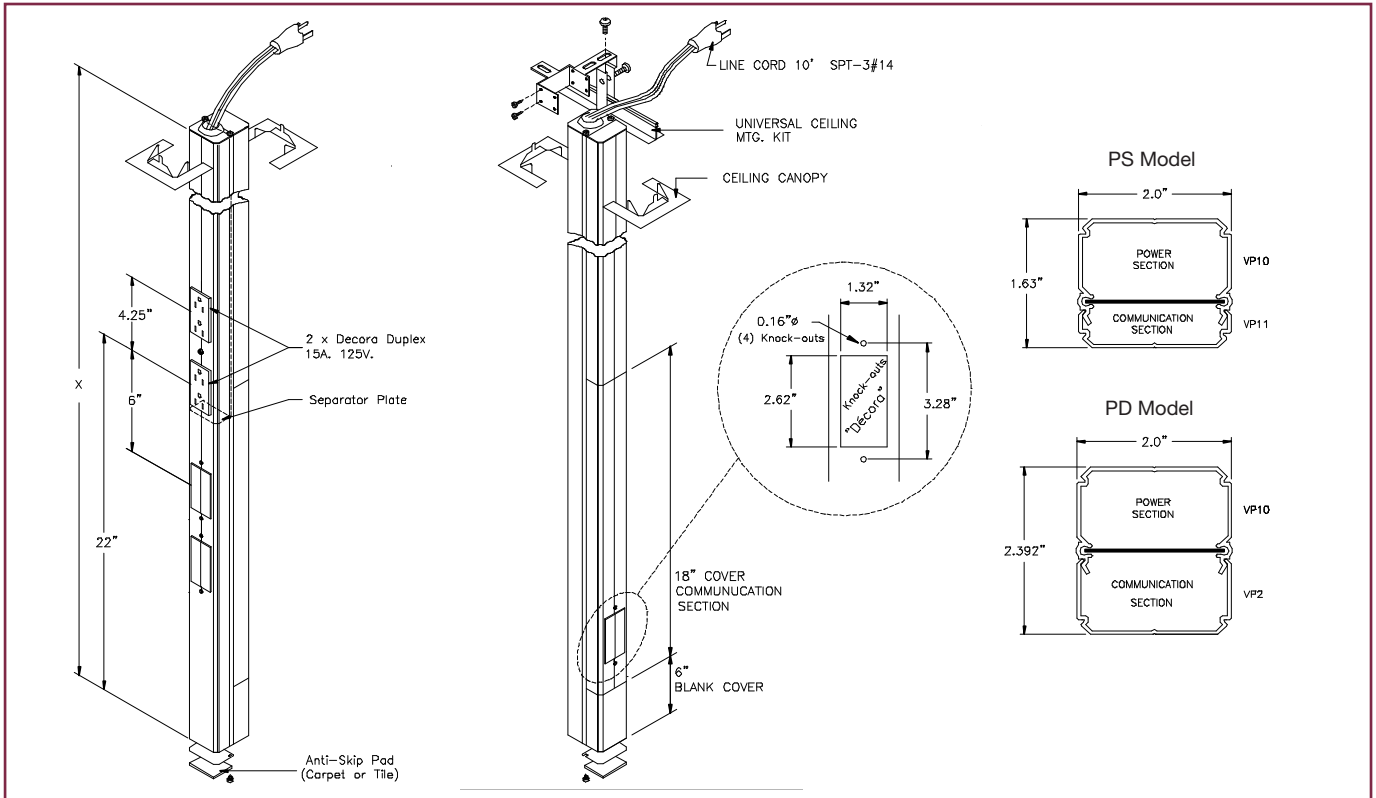
CSA does not allow use of line cord for isolated ground receptacles. A maximum of 2-IG receptacles per circuit with a maximum of 2 circuits-4 duplex receptacles allowed for isolated ground.

Project / Location		Date
Contractor	Prepared by	
LUMACELL Model		



# FLEXPOLE PS & PD SERIES

## Dimensions



## Ordering Information

Series	Pole Height *	Duplex	options	Branding
<b>PS</b> = PS series (small)	<b>86</b> = 8' 6" "	<b>BP</b> = blank pole <b>R</b> __ = decora duplex receptacle (specify total qty) *	<b>DUC</b> = Dual Circuit <b>K</b> __ = Extra decora KO's * (specify extra quantity) <b>BR</b> = Barrier **	<b>Blank</b> = Lumacell product
	<b>106</b> = 10' 6" "			
<b>PD</b> = PD series (deep)	<b>11</b> = 11' 0" "	<b>IG</b> __ = Isolated ground duplex receptacle (specify quantity) **	<b>JB</b> = Junction Box <b>AF</b> = Adjustable foot <b>W</b> = White finish	
	<b>146</b> = 14' 6" "			
	* Standard grey. Other heights available	Notes: max 2 duplex per circuit max 2 circuits 15A 125V per pole  * R1 and R2 c/w line cord, R3 and R4 c/w junction box and double circuit ** included JB option	<b>Accessories</b> <b>LCFP</b> = Replacement line cord <b>MKFP</b> = Replacement mounting Kit	
			*3 decora KO's are standard except on blank pole ** Barrier is standard except on blank pole	

NOTE: Certain options may result in longer lead time. Consult your sales representative.

**EXAMPLE: PS96BPBR**= 9'6" no duplex c/w barrier  
**EXAMPLE: PS96R2**= 9'6" c/w 2 decora duplex, 3 decora K/O

**EXAMPLE: PS96R2K1**= 9'6" c/w 2 decora duplex, 4 decora K/O  
**EXAMPLE: PS11R1**= 11'0" c/w 1 decora duplex, 3 decora K/O