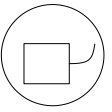


Use flexible conduit only



Divider Series - Emergency lighting

6 volts

IMPORTANT SAFEGUARDS

When using electrical equipment, basic safety precautions should always be followed including the following:

READ AND FOLLOW ALL SAFETY INSTRUCTIONS

1. Do not use outdoors.
2. Do not let power supply cords touch hot surfaces.
3. Do not mount near gas or electric heaters.
4. Use caution when handling batteries. Avoid possible shorting.
5. Equipment should be mounted in locations and at heights where it will not readily be subjected to tampering by unauthorized personnel.
6. The use of accessory equipment not recommended by the manufacturer may cause an unsafe condition.
7. Do not use this equipment for other than intended use.
8. All servicing should be performed by qualified service personnel.

SAVE THESE INSTRUCTIONS

Installation Instructions

1. Turn off AC power.
2. Remove the backplate by pressing on the tabs (see fig. 2) with a screwdriver.
3. Locate the AC connector (see fig. 1) and attach to the unswitched AC circuit (or to the line cord for units with such an option). Our unit can accept input voltages of 120 VAC or 347 VAC depending on the model (see fig. 3).

120 VAC — Connect the black (120 VAC) and white (neutral) leads to the building utility. Insulate the orange wire.

120 VAC with line cord (optional) — Before making the connections, follow the line cord installation instruction at section 5. Then, connect the round wire from the line cord to the black (120 VAC) on the unit and the ridged wire from the line cord to the white (neutral) on the unit. Insulate the orange wire. You cannot ground the plastic housing, therefore, you should also insulate the unused green wire from the line cord.

347 VAC — Connect the red leads (347 VAC) to the building utility.

4. Determine the desired position of the test switch (see fig. 2) before mounting the backplate.
5. Choose the proper mounting solution below and continue to step 6.

Junction box mounting

- a. For standard junction box mounting, knock out the desired hole pattern in the backplate. Route the connector through the large knockout and mount the backplate to the junction box (see fig. 4).

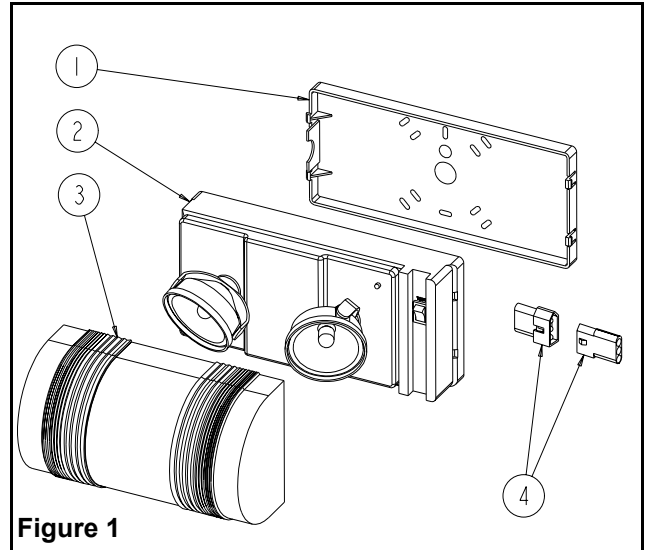


Figure 1

Part List

- | | |
|--------------|-----------------|
| 1. Backplate | 3. Clear lens |
| 2. Housing | 4. AC connector |

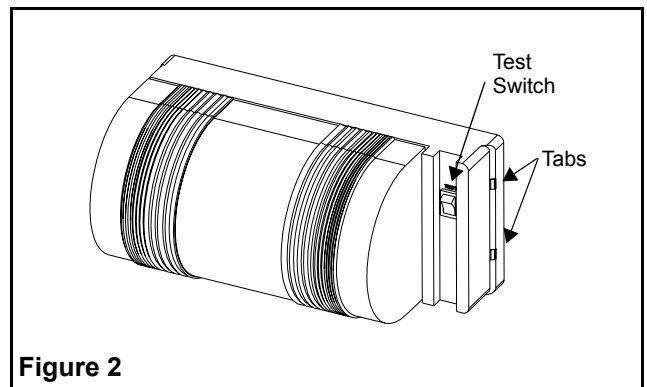


Figure 2

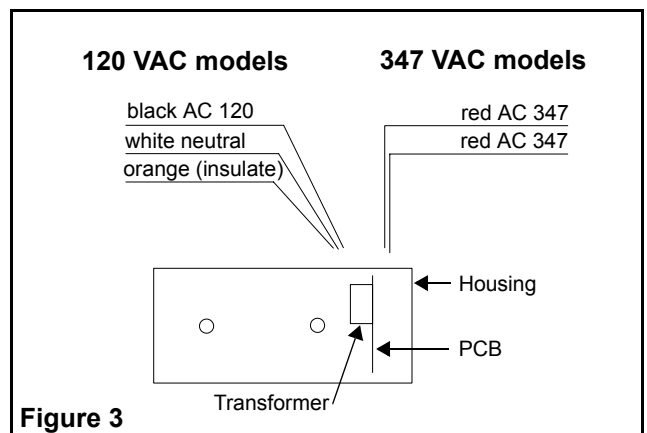


Figure 3

Flexible conduit entry mounting

- a. For conduit entry, mount the backplate to the wall. Break out the conduit hole on the housing (see fig. 4). Assemble the conduit to the backplate.

Line cord installation (option)

- a. Mount the backplate to the wall. Slide the metal adaptor over the line cord before making the connections described at step 3. Install the strain relief (see fig. 4). Using pliers, crimp strain relief onto the line cord. Keeping pressure on the pliers, slide the oval adaptor over the strain relief until it snaps. Insert the strain relief/adaptor assembly in the knockout hole on the housing and fold the two tabs from the adaptor onto the housing.
 - 6. When ready to energize AC circuit, connect the two red battery leads or connect red lead to the positive battery terminal.
 - 7. AC must be off when mating AC connector. Mate the AC connector on the unit with the connector from the building AC service. If the unit is mounted to a junction box, push back through the large knockout in the backplate. If a conduit entry is used, position above battery to prevent interference.
 - 8. Slide the housing over the tabs; conduit side on housing over conduit side on backplate (see fig. 5). Assemble the conduit side first, then align the tabs on the other side of the housing and of the backplate. Press together until it snaps.
- Note** — For all applications, conduit entry side of housing must be assembled to conduit entry side of backplate as it will engage only one way.
- 9. Remove the clear lens by prying with a screwdriver, under the cover on the conduit side (see fig. 6).
 - 10. Rotate heads to desired position and replace clear lens.
 - 11. Energize AC. The AC pilot indicator, located under the cover, will illuminate (see fig. 6).

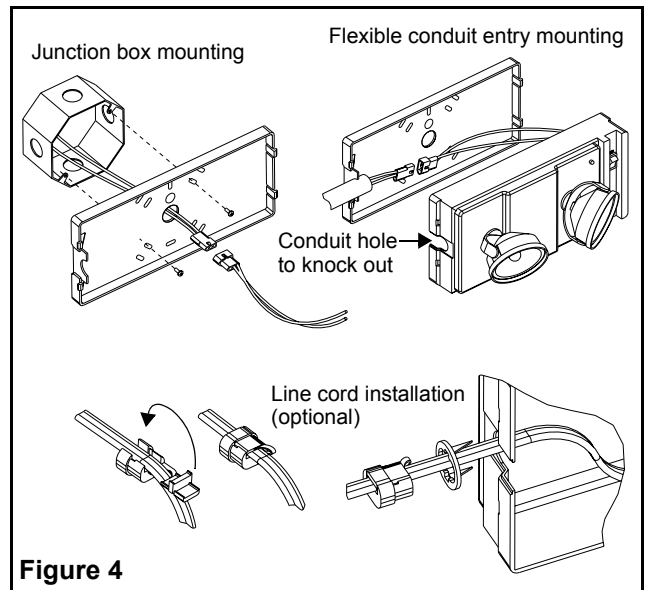


Figure 4

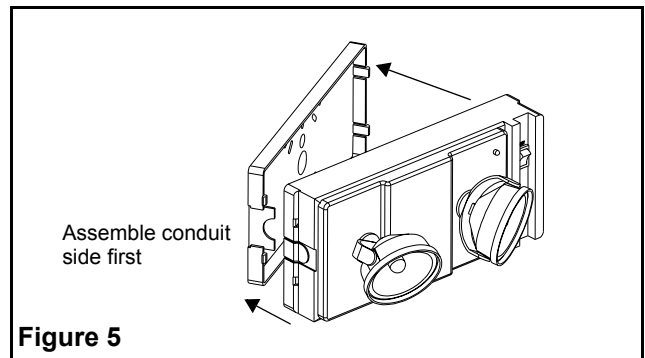


Figure 5

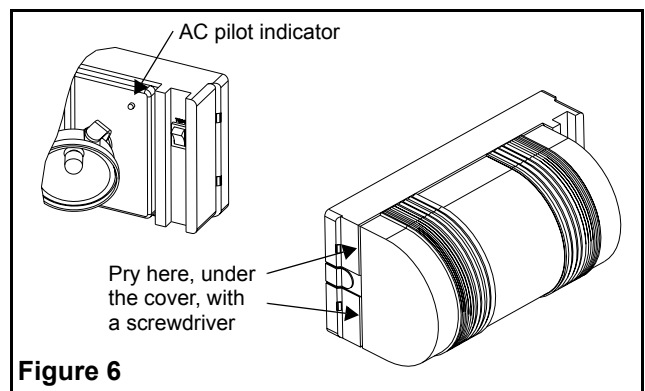


Figure 6

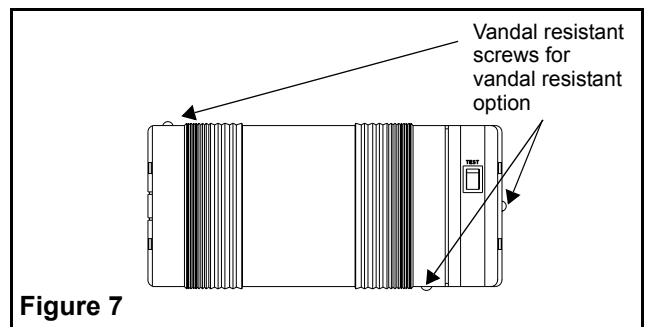


Figure 7

Vandal resistant (option)

Units with vandal resistant option: there are three vandal resistant screws. Two are securing the cover, and the other one secures the housing and the backplate (see fig. 7).

Remote (option)

Units with remote option: wire the Red lead (+) to the positive DC input voltage and the Blue Lead (-) to the negative DC input voltage.

Note — DC input voltages are 6, 12 or 24 volts.

Testing

Press test switch (see fig. 2). The emergency lamps will illuminate. When switch is released, lamps will go off. Allow unit to charge for 24 hours before initial testing.

Maintenance

None required.

This equipment is furnished with a low voltage disconnect circuit to prevent damage by over-discharging the battery. However, if the AC supply to the unit is to be disconnected for 2 months or more, the battery must be disconnected.