

IP Series

Sealed Fluorescent Luminaire Selfpowered Addendum

IMPORTANT SAFEGARDS READ AND FOLLOW ALL SAFETY INSTRUCTIONS



Caution: To prevent electrical shock, DO NOT mate ballast connectors until installation is complete and A.C. power is supplied to the unit.

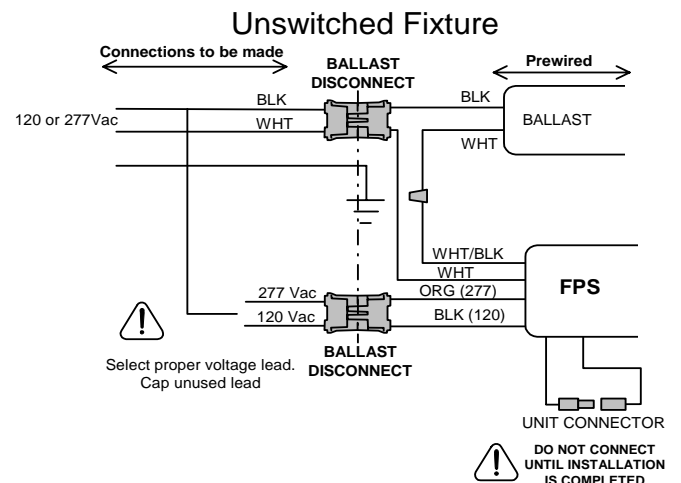
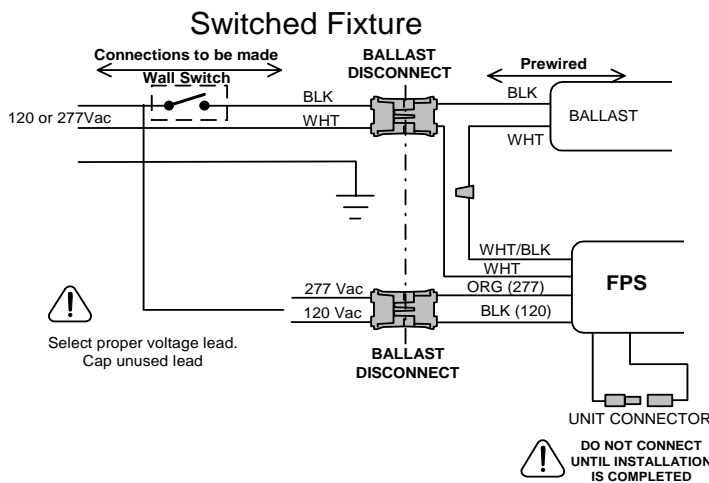
Caution: This fixture provides more than one power supply output source. To reduce the risk of electrical shock, disconnect both normal and emergency sources by turning OFF the A.C. branch circuit and by disconnecting the unit connector.

Caution: The fluorescent power supply is a sealed unit. The integral, high temperature NiCad battery is not replaceable. Replace the entire unit when necessary and recycle or dispose the nickel-cadmium battery properly.

DO NOT USE OUTDOOR.

WIRING

- The fluorescent Power Supply (FPS) and the ballast must be on the same branch circuit
- The FPS requires an unswitched A.C. power source of either 120 or 277 volts. Select the proper voltage lead and cap the unused lead.
- When the FPS is used with a switched fixtures, the A.C. input to the FPS must be connected ahead of the fixture switch. Refere to following illustrations for switched and unswitched fixture wiring diagrams.



COMPLETING THE INSTALLATION

Switch A.C. power ON and join the FPS Ballast Connector. Both ballast disconnectors must be joined.

Clip the base plate to the fixture body. Install lamps.

RED indicator and both lamps must be ON.

Press the RED indicator. The AC ballast is turned off by the FPS. The emergency lamp is now lit by the FPS. After releasing the RED indicator, the fixtures returns to normal operation.

Install the lens.

OPERATION

Normal Mode : A.C. is present. The ballast operates the fluorescent lamps. The FPS is in standby charging mode. The RED indicator provides a visual indication that the battery is being charged.

Emergency Mode: A.C. power failed. The FPS automatically switches to emergency mode. One or two lamps is illuminated et reduced output for the duration of the discharge time (90 minutes). When A.C. is restored, the FPS switches back to the Normal Mode and resumes battery charging.

TESTING

The FPS is a maintenance free unit.

Monthly : Ensure that the charge indicator is illuminated. Conduct a 30 second discharge test be depressing the RED indicator. One or two lamps should operate at reduce output.

Annually: Ensure that the charge indicator is illuminated. Conduct a 90 minutes discharge test by forcing a "Black Out" with circuit breaker. The unit shall operate as intended for the duration of the test.

Written records of testing shall be kept by the owner for inspection by the authority having jurisdiction.