

B12L Series – Extruded Aluminum LED Bilingual Sign

AC/DC

IMPORTANT SAFEGUARDS

When using electrical equipment, basic safety precautions should always be followed including the following:.

READ AND FOLLOW ALL SAFETY INSTRUCTIONS

1. Do not use outdoors.
2. Do not let power supply cords touch hot surfaces.
3. Do not mount near gas or electric heaters.
4. Use caution when handling batteries. Avoid possible shorting.
5. Equipment should be mounted in locations and at heights where it will not readily be subjected to tampering by unauthorized personnel.
6. The use of accessory equipment not recommended by the manufacturer may cause an unsafe condition.
7. Do not use this equipment for other than intended use.
8. All servicing should be performed by qualified service personnel.

SAVE THESE INSTRUCTIONS

Installation Instructions

1. Turn off AC power.
2. Route unswitched AC circuit into electrical junction box and leave 6" wire length.
3. Remove face plate from frame by sliding the face plate upwards and pivoting the bottom outwards.
4. Follow the proper mounting procedure and continue to step 5.

Wall mount

- a. Knock out the proper hole pattern in the back plate to mount to the standard junction box; place a support on either side of the knockout to be removed and knock out with a screwdriver.
- b. Feed AC supply, and DC supply if applicable, leads through the center hole.
- c. Mount the exit sign securely to the junction box using the junction box screws (see fig. 2).

Ceiling mount (with canopy)

- a. Determine desired mounting location of sign.
- b. Remove the proper knockouts in the frame for the canopy with a hammer and screwdriver.
- c. Fasten the canopy to the exit using #8-32 short screws and hex nuts provided (see fig. 3)
- d. Route AC wires, and DC wires if applicable, from exit through large knockout.

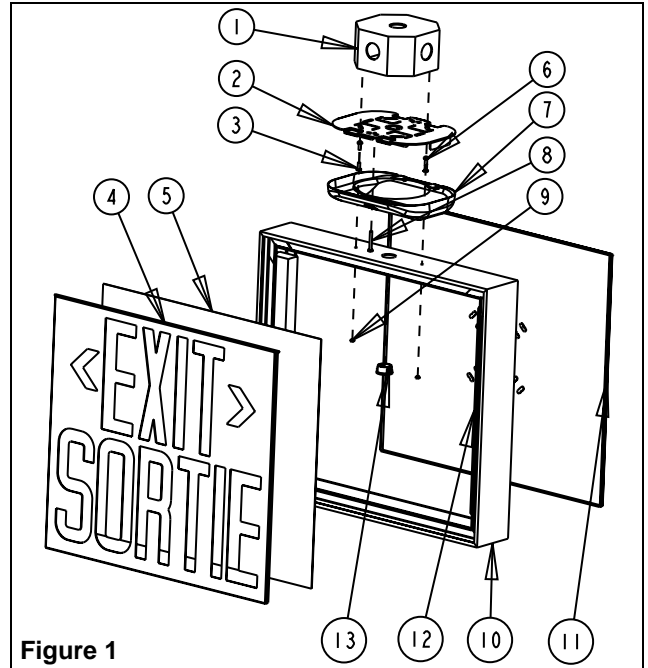


Figure 1

Parts List

- | | |
|--------------------------------------|---------------------|
| 1. Junction box (not provided) | 7. Canopy |
| 2. Spider plate | 8. Screw #8-32 long |
| 3. Junction box screw (not provided) | 9. Keps nuts (2) |
| 4. Face plate | 10. Frame |
| 5. Diffuser | 11. Backplate |
| 6. Screw #6-32 short (2) | 12. LED strip (2) |
| | 13. Bushing |

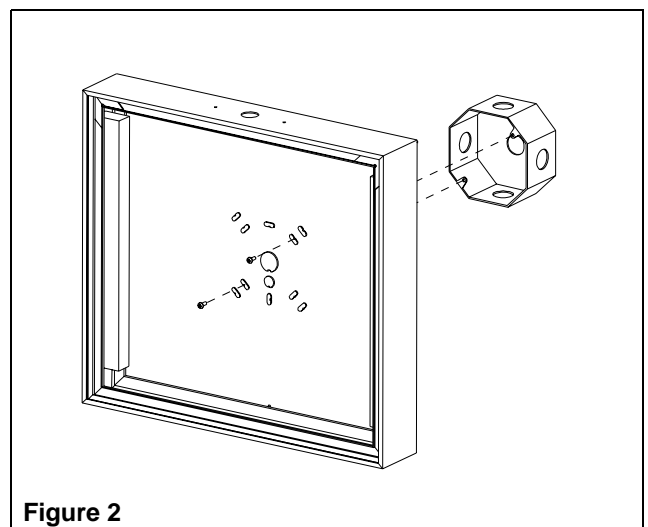


Figure 2

- e. Fasten the spider plate to the junction box using the junction box screws. Align two threaded holes in the spider plate to line up with the canopy hole for correct mounting position.
 - f. Make the proper wire connections. The “Quick-install” canopy is equipped with ribs allowing you to hang the unit to the spider plate to facilitate wiring (See fig.3). Feed the excess wire into the junction box and secure the canopy to the junction box using the long screw provided(8).
5. Make the proper connections. On the standard universal model, our unit accepts an input voltage of 120 VAC to 347 VAC (see fig. 4).
120 to 347 VAC — Connect the purple (120-347 VAC) and white (Neutral) leads to the building utility.
 6. Feed excess wire into the junction box.
 7. Connect the green ground wire to the service ground or the ground connection in the junction box.
 8. Replace diffuser and faceplate onto frame.
 9. Turn on AC supply. LED strip will light.

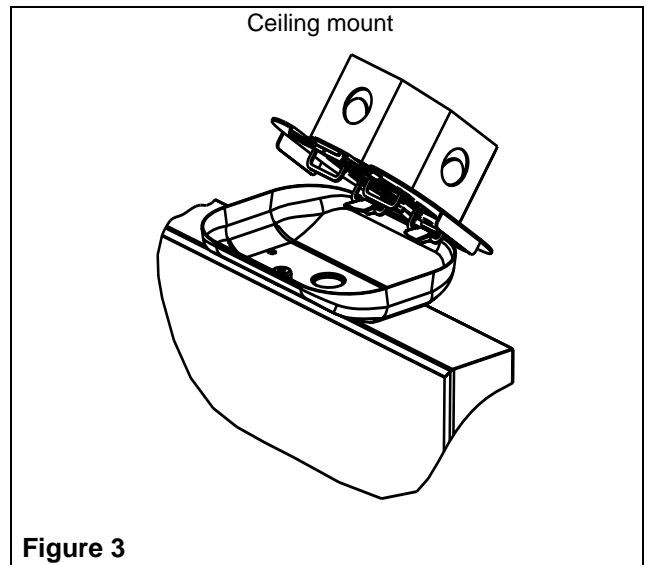


Figure 3

AC/DC Models

Refer to fig. 4 for AC & DC wiring.

For DC portion — Wire the Red lead (+) to the positive DC input voltage and the Blue lead (-) to the negative DC input voltage. Note: DC input voltage range is 6 volts to 24 volts.

Maintenance

None required. Unit should be tested monthly in accordance with safety codes and local codes. If AC supply to the unit is to be disconnected for 2 months or more, the battery must be disconnected (self-powered models only).

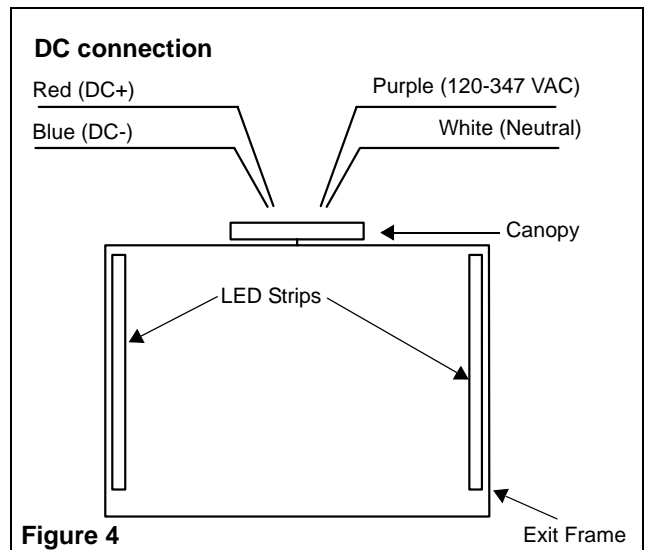


Figure 4