

# LER400 Series – Extruded Aluminum LED Exit Sign

## AC/DC & Self Powered

### IMPORTANT SAFEGUARDS

When using electrical equipment, basic safety precautions should always be followed including the following:

### READ AND FOLLOW ALL SAFETY INSTRUCTIONS

1. Do not use outdoors.
2. Do not let power supply cords touch hot surfaces.
3. Do not mount near gas or electric heaters.
4. Use caution when handling batteries. Avoid possible shorting.
5. Equipment should be mounted in locations and at heights where it will not readily be subjected to tampering by unauthorized personnel.
6. The use of accessory equipment not recommended by the manufacturer may cause an unsafe condition.
7. Do not use this equipment for other than intended use.
8. All servicing should be performed by qualified service personnel.

### SAVE THESE INSTRUCTIONS

#### Installation Instructions

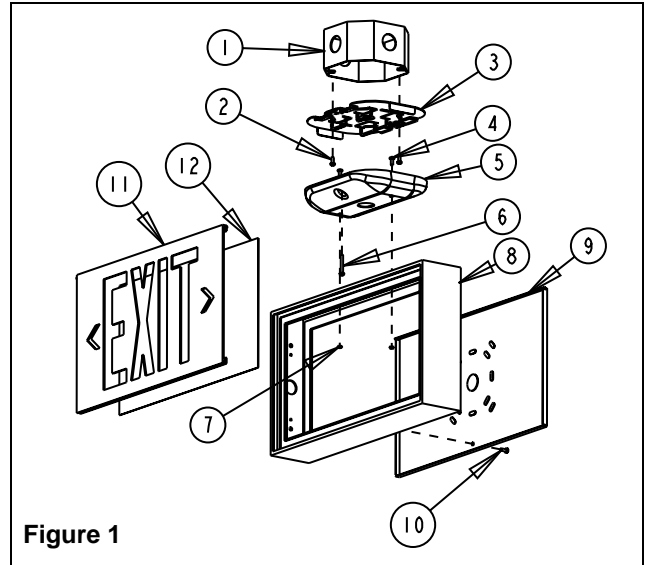
1. Turn off AC power.
2. Route unswitched AC circuit into electrical junction box and leave 6" wire length.
3. Remove face plate from frame by sliding the face plate upwards and pivoting the bottom outwards.
4. Remove directional arrow knockouts in faceplate as required. Place a support either side of the arrow to be removed and knock out with a screwdriver (see fig. 2).
5. Follow the proper mounting procedure and continue to step 6.

##### Wall mounting

- a. Knock out the proper hole pattern in the back plate to mount to the standard junction box; place a support either side of the knockout to be removed and knock out with a screwdriver.
- b. Feed AC supply leads, and DC leads if applicable, through the center hole.
- c. Mount the exit sign securely to the junction box using the junction box screws (see fig. 3).

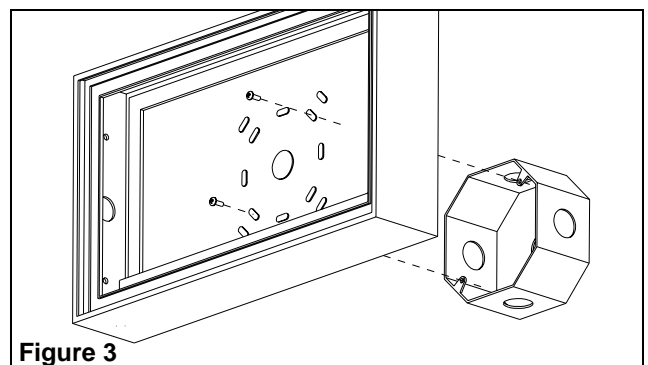
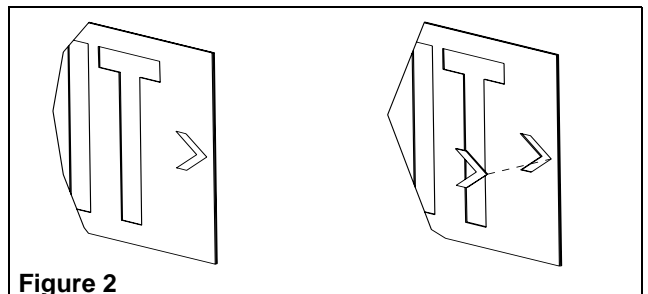
##### Ceiling or End mounting (with canopy)

- a. Determine desired mounting location of sign.
- b. Remove the proper knockouts in the frame for the canopy with a hammer and screwdriver. On the side for end mount, or the top for ceiling mount.



#### Parts List

- |                                      |                        |
|--------------------------------------|------------------------|
| 1. Junction box                      | 7. Keps nuts #8-32 (2) |
| 2. Junction box screw (not provided) | 8. Frame               |
| 3. Spider plate                      | 9. Backplate           |
| 4. Screw #8-32 SHORT (2)             | 10. Backplate screw    |
| 5. Canopy                            | 11. Face plate         |
| 6. Screw #8-32 LONG                  | 12. Diffuser           |



- c. Route AC wires, and DC wires if applicable, from exit through large knockout.
  - d. Fasten the spider plate to the junction box using the junction box screws. Align two threaded holes in the spider plate to line up with the canopy holes for correct mounting position, end or ceiling.
  - e. Fasten the canopy to the exit using #8-32 Short screws and keps nuts provided (seefig. 1).
  - f. Make the proper wire connections. The “Quick-install” canopy is equipped with ribs allowing you to hang the unit to the spider plate to facilitate wiring (See fig.4). Feed the excess wire into the junction box and secure the canopy to the junction box using the long screw provided(6).
6. Make the proper connections. On the standard universal model, our unit accepts an input voltage of 120 VAC to 347 VAC (see fig. 5).
- a. Connect neutral (white). Connect AC line (see table 1).
  - b. Insulate all unused wires.
  - c. Feed excess wire into the junction box.
7. Connect the green ground wire to the service ground or the ground connection in the junction box.
8. Turn on AC supply. LED strip will light.

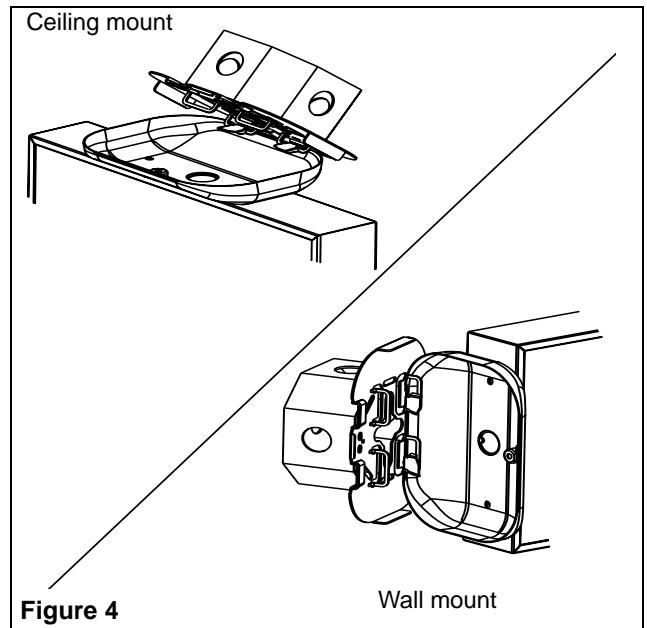


Figure 4

### AC/DC Models

Refer to fig. 5 for AC & DC wiring.

**For DC portion** — Wire the Red lead (+) to the positive DC input voltage and the Blue lead (-) to the negative DC input voltage. Note: DC input voltage range is 6 volts to 24 volts.

### Testing (self-powered models)

Operate test switch, LED strip will brighten. Release test switch, LED strip will dim and pilot light will be illuminated. If LED strip appears dim or does not light on test, leave AC connected for at least 15 minutes and re-test. If still incorrect, contact a serviceman or the factory for assistance.

### Maintenance

None required. Unit should be tested monthly in accordance with safety codes and local codes. If AC supply to the unit is to be disconnected for 2 months or more, the battery must be disconnected (self-powered models only).

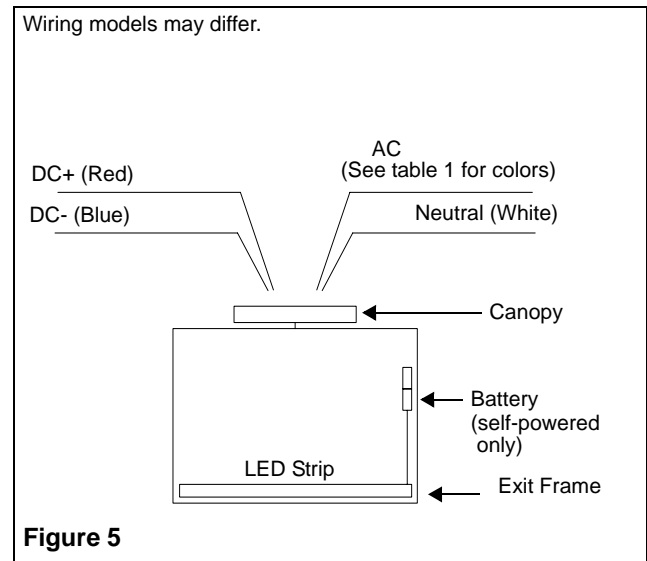


Figure 5

Wire Color	Voltage
Black	120 VAC
Orange	277 VAC
Brown or Red	347 VAC
Purple	120 TO 350 VAC

**Note: Colors may be different for special voltages. Refer to labels on wires for proper voltages.**

Table 1