

# LER900B6LC860UNIV Series – Extruded Aluminum Exit

## AC & Self-Powered model

### IMPORTANT SAFEGUARDS

When using electrical equipment, basic safety precautions should always be followed including the following:

### READ AND FOLLOW ALL SAFETY INSTRUCTIONS

1. Do not use outdoors.
2. Do not let power supply cords touch hot surfaces.
3. Do not mount near gas or electric heaters.
4. Use caution when handling batteries. Avoid possible shorting.
5. Equipment should be mounted in locations and at heights where it will not readily be subjected to tampering by unauthorized personnel.
6. The use of accessory equipment not recommended by the manufacturer may cause an unsafe condition.
7. Do not use this equipment for other than intended use.
8. All servicing should be performed by qualified service personnel.

### SAVE THESE INSTRUCTIONS

#### Installation Instructions

1. Turn off AC power.
2. Route an unswitched AC circuit of rated voltage into the junction box and leave 6" of wire length.
3. Follow the proper installation procedure (ceiling mount, end mount or wall mount) and continue to step 4.

##### Ceiling mount (with canopies)

- a. There are three canopies assembled to the sign (see fig. 2).
- b. Mount the spider plates provided to the junction boxes using the junction box screws.

##### End mount (with end plate)

- a. Feed AC supply leads through the center hole in end mounting plate. Attach the end mounting plate to the end bar using the two  $\text{Ø}1/4 \times 1/2$ " flat head screws (see fig. 3).
- b. Mount the spider plate to the junction box using the junction box screws. Make sure the junction box is firmly attached to the wall.

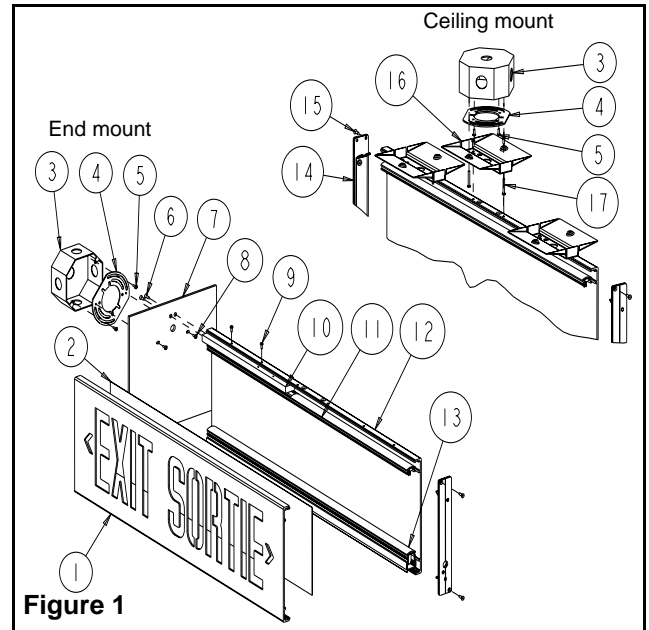


Figure 1

#### Part List

- |   |  |
|---|--|
| 1. Front cover                                    | 10. End mounting bar (already installed)     |
| 2. Diffuser (2 if the exit sign is double-sided)  | 11. LED assembly                             |
| 3. Junction box (not provided)                    | 12. Back cover                               |
| 4. Spider plate                                   | 13. Battery/charger assembly                 |
| 5. Junction box screws (not provided)             | 14. End cap (1)(2 if end mount)              |
| 6. $\text{Ø}1/4 \times 1/2$ " flat head screw (2) | 15. End cap screw (2 per end cap)            |
| 7. End mounting plate                             | 16. Canopy (3, ceiling mount only)           |
| 8. End mounting screw 1" (2)                      | 17. Canopy screws 1" (6, ceiling mount only) |
| 9. Self-tapping screw (2, already installed)      |  |

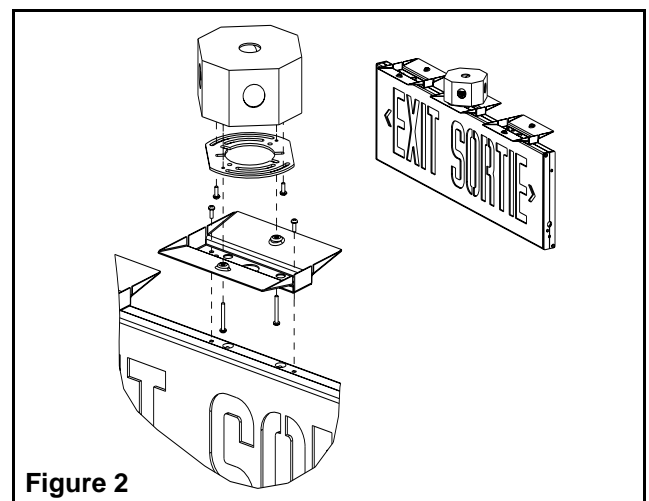


Figure 2

### Wall mount

- a. Knock out the proper hole pattern in the backplate to mount to a standard junction box (including the large wire hole); place a support either side of the hole to be removed and knock out with a screwdriver.
  - b. Feed AC supply leads through the center hole.
  - c. Mount the exit sign securely to the junction box using the junction box screws (see fig. 4). For more stability, use the keyholes.
4. Attach incoming ground to the ground wire provided in the exit sign.
  5. Make the proper connections (see fig. 6).
    - 120 VAC** — Connect the black (120) and white (neutral) leads to the building utility.
    - 347 VAC** — Connect the red (347) and white (neutral) leads to the building utility.
 Push back the excess wires into the junction box.
  6. Fix the unit to the wall or ceiling:
    - For ceiling mount** — Use the six canopy screws 1" to fix the three canopies. Insert the screws through the canopies and into the spider plates (see fig. 2).
    - For end mount** — Insert the two end mounting screws 1" in the end mounting plate (see fig. 3) and into the spider plate.

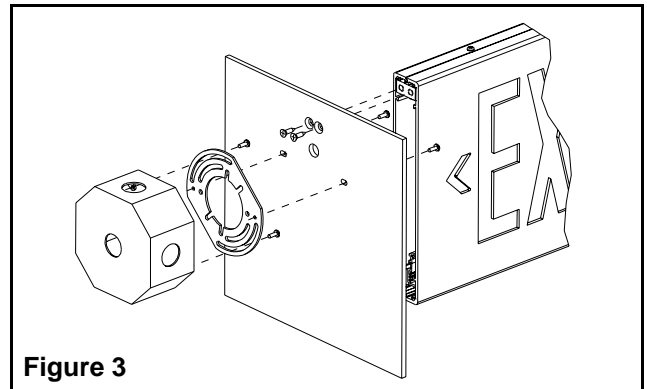


Figure 3

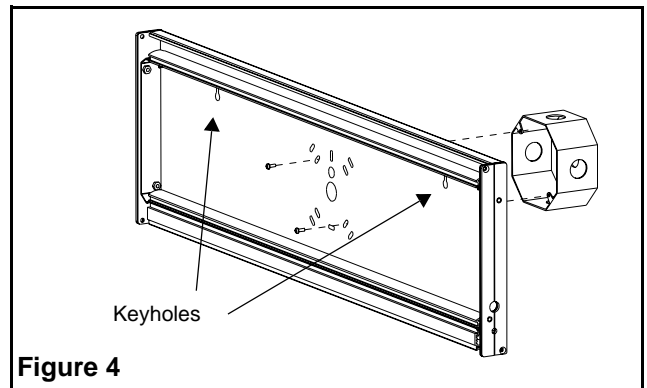


Figure 4

### LED replacement

To replace the LED assembly, you must open the exit sign.

1. Take off the end caps by removing the 2 end caps screws (only one end cap for end mounted signs). See fig. 5.
2. Slide out the front cover and diffuser.
3. The LED assembly can be accessed. Unplug the LED connector at each end of the LEDs. Replace the old LED assembly by the new one. Reconnect the LED connectors.
4. Slide back the front cover. Re-install the end caps with the screws.

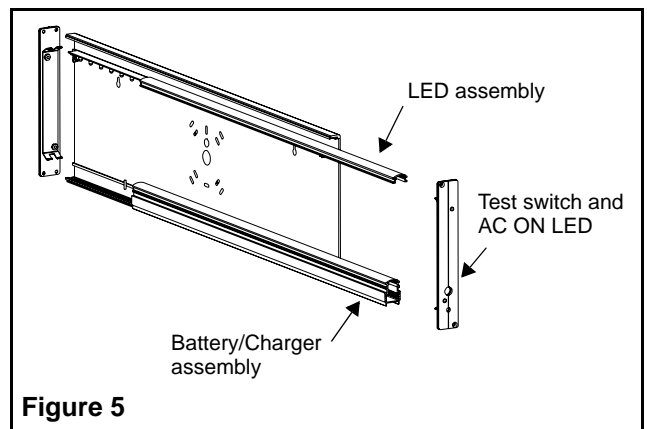


Figure 5

### Battery/Charger replacement

To replace the Battery/charger assembly, you must open the exit sign.

1. Take off the end caps by removing the 2 end caps screws (only one end cap for end mounted signs). See fig. 5.
2. Slide out the front cover and diffuser.
3. The Battery/charger assembly can be accessed. Unplug the LED connector at each end of the LEDs. Replace the old Battery/charger assembly by the new one. Reconnect the LED connectors.
4. Slide back the front cover. Re-install the end caps with the screws.

### Testing

Press test switch (see fig. 5). Legend will flicker, but remain lit, AC pilot lamp will extinguish. On release, pilot lamp will illuminate, and automatic charger will restore battery to full charge.

### Maintenance

None required. If AC supply to the unit is to be disconnected for 2 months or more, the battery must be disconnected.

**Note** — Nickel Cadmium batteries are shipped discharged and may require 10 minutes of connection to AC supply before start-up test procedure and 24 hours to reach a full charge.

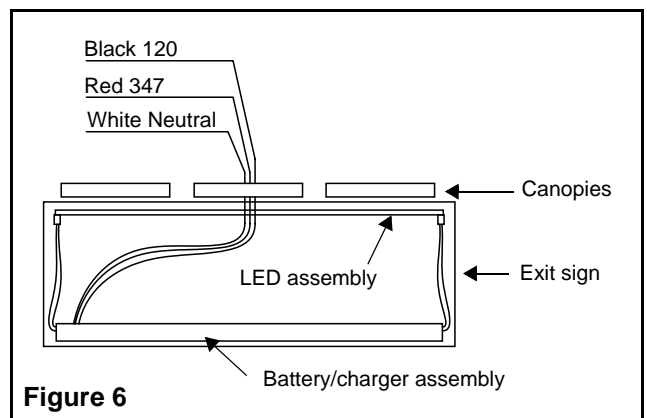


Figure 6