

LMCE Series - LED Steel Exit Sign

AC/DC & Self Powered

IMPORTANT SAFEGUARDS

When using electrical equipment, basic safety precautions should always be followed including the following:

READ AND FOLLOW ALL SAFETY INSTRUCTIONS

1. Do not use outdoors.
2. Do not let power supply cords touch hot surfaces.
3. Do not mount near gas or electric heaters.
4. Use caution when handling batteries. Avoid possible shorting.
5. Equipment should be mounted in locations and at heights where it will not readily be subjected to tampering by unauthorized personnel.
6. The use of accessory equipment not recommended by the manufacturer may cause an unsafe condition.
7. Do not use this equipment for other than intended use.
8. All servicing should be performed by qualified service personnel.

SAVE THESE INSTRUCTIONS

Installation Instructions

1. Turn off AC power.
2. Route AC unswitched circuit of rated voltage into electrical box and leave 15 cm (6") of wire length.
3. Remove exit face. To open the sign, remove screws from the end cap (see fig. 1) and slide out the exit face and the diffuser panel.
4. Remove the appropriate chevron(s) on the exit sign by supporting the exit face either side of the chevron and knock out carefully with a screwdriver from the rear (see fig. 2).

Wall Mount

- a. Knock out the proper hole pattern in the back plate to mount to the standard junction box (including the large wire hole); place a support on either side of the hole to be removed and knock out with a screwdriver.
- b. Feed AC supply leads through the center hole.
- c. Mount the exit sign securely to the junction box using the junction box screws (see fig. 3).

Canopy - Ceiling or End mount

- a. Determine desired mounting location of sign.
- b. Route AC wires from exit through large knockout. For ceiling mount, make sure backplate is mounted so exit face will be facing in desired direction.

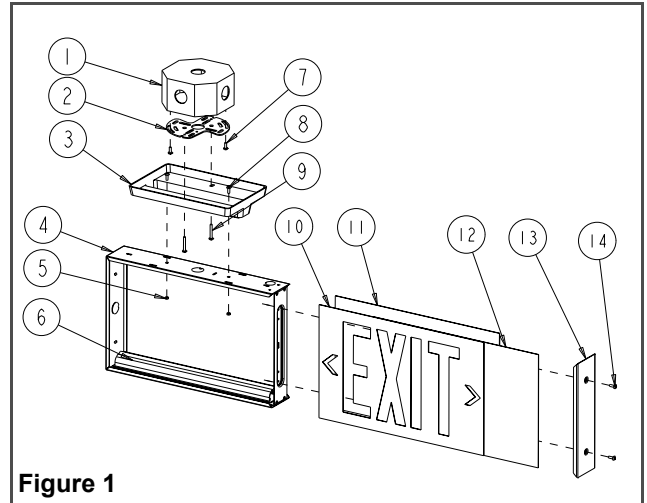


Figure 1

Part List

- | | |
|---------------------------------------|--------------------------------------|
| 1. Junction box (existing) | 8. Screws 8-32 x 3/8" (2) |
| 2. Spider Plate | 9. Screws 8-32 x 1 1/2" (2) |
| 3. Canopy | 10. Exit face |
| 4. Housing | 11. Back Plate (or second exit face) |
| 5. Kep Nuts (2) | 12. Diffuser Panel |
| 6. LED Strip | 13. End Cap |
| 7. Junction box screws (not provided) | 14. End cap screws (2) |

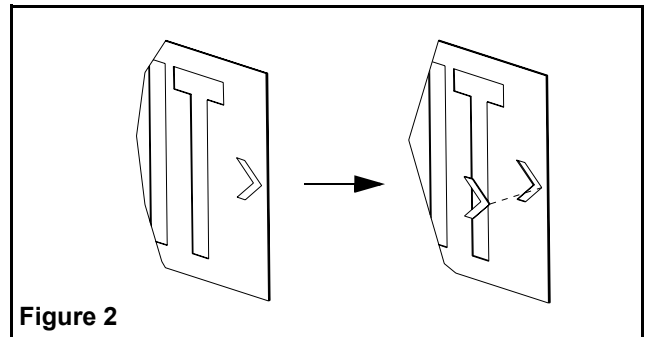


Figure 2

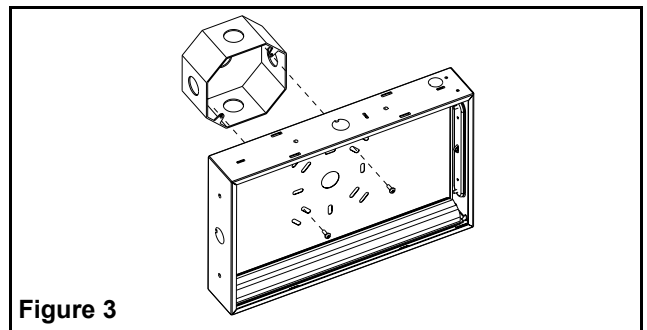
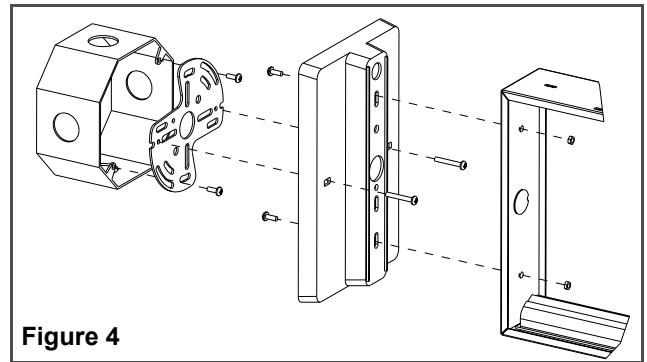
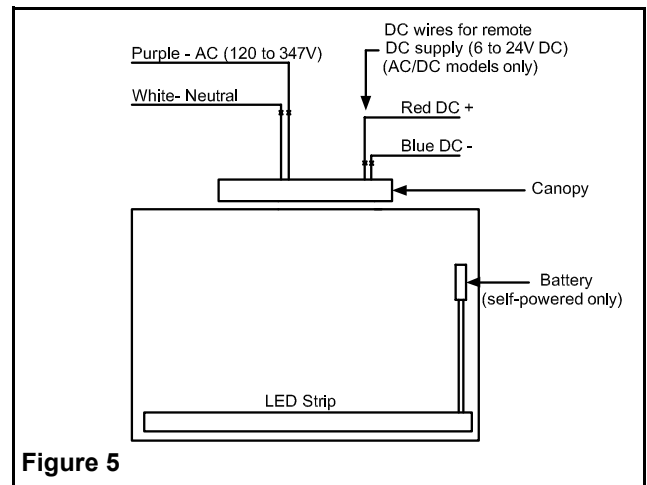


Figure 3

- c. Fasten the spider plate to the junction box using the junction box screws. Align the two threaded holes in the spider plate to line up with the canopy holes for correct mounting position, end or ceiling.
 - d. Fasten the canopy to the exit using #8-32 x 3/8" screws and kep nuts provided (see fig. 4)
 - e. Fasten the canopy-exit assembly to the spider plate using the #8-32 x 1 1/2" screws provided.
5. Make the proper connections, our system accepts an input voltage of 120 to 347VAC (see fig. 5). Connect the purple (120 to 347 VAC) and white (Neutral) leads to the building utility. Feed excess wire into the junction box. For remote powered DC units, connect the red wire to the positive of the DC supply and the blue to the negative (6 to 24 VDC). Connect the green ground wires to the service ground or the ground connection in the junction box.
 6. When ready to energize AC, plug in battery connector to circuit board. Connect battery and turn on AC power within 6 hours.
 7. Slide the diffuser panel, exit face and back plate, if removed, into the housing. Reinstall end cap.
 8. Energize AC power.


Figure 4

Figure 5

AC/DC Models

Refer to fig. 5 for AC & DC wiring.

For DC portion — Wire the Red lead (+) to the positive DC input voltage and the Blue lead (-) to the negative DC input voltage. Note: DC input voltage range is 6 volts to 24 volts.

Testing (self-powered models)

Operate test switch, LED strip will brighten. Release test switch, LED strip will dim and pilot light will be illuminated. If LED strip appears dim or does not light on test, leave AC connected for at least 15 minutes and re-test. If still incorrect, contact a serviceman or the factory for assistance.

Maintenance

None required. Unit should be tested monthly in accordance with safety codes and local codes. If AC supply to the unit is to be disconnected for 2 months or more, the battery must be disconnected (self-powered models only).