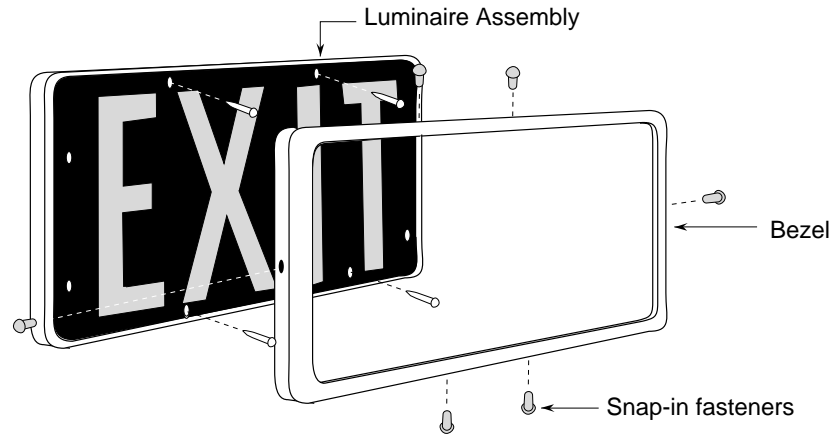


## Installation Instructions Single Faced Self Luminous Exits



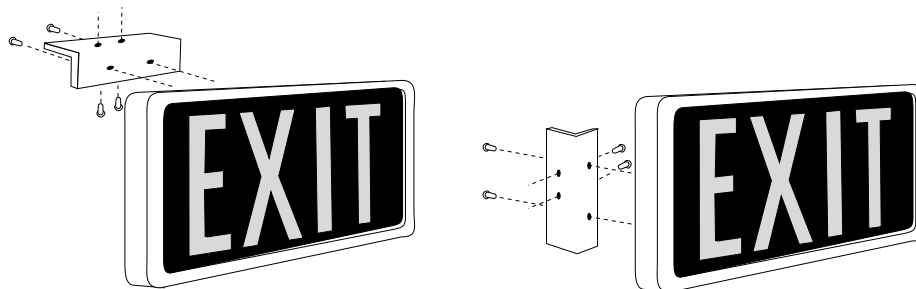
Remove bezel. Select the method of mounting (wall, end or ceiling). The sign has eight (8) mounting holes; select the two mounting holes which best suit your application.

### *WALL MOUNT*

Using the four screws provided, fix to wall. Replace bezel. Snap the tamper-proof fasteners into place. Remove peel-off arrows as required.

### *END OR CEILING MOUNT*

Side brackets can be used on ceiling or end as shown:



Screw the bracket into position on the wall or ceiling, then fix sign to bracket using the screws provided. Replace bezel. Snap tamper-proof buttons into place. Remove peel-off arrows as required.

### **Health and Safety**

Your Lumacell Self-Luminous Exit Sign is ready for immediate use and requires installation only.

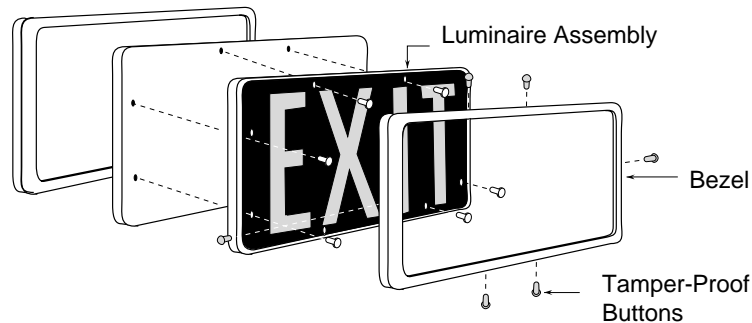
Handle carefully during installation. Do not remove any labels from the sign.

Lumacell products are designed to withstand normal conditions of shipping without damage to the light sources. If a sign does not display full illumination upon receipt, return it to Lumacell.

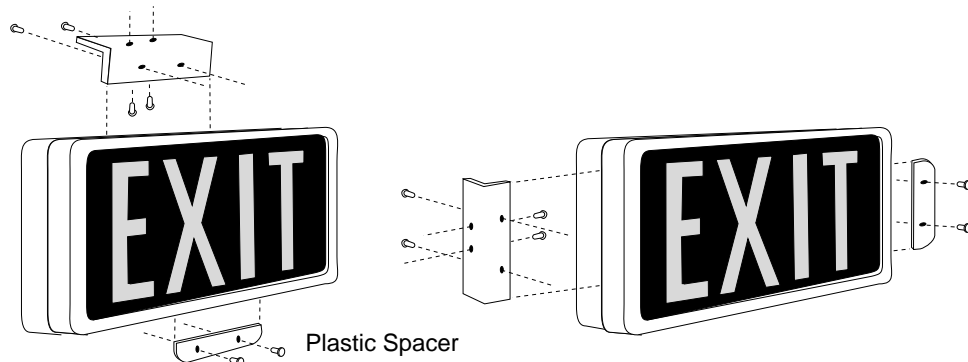
This product contains radioactive material. Loss or theft of this product must be reported to the supplier. Do not abandon, open or dismantle the unit. For disposal, return to manufacturer or Atomic Energy of Canada Ltd. only.

Lumacell will be glad to assist with any queries concerning this self-luminous exit sign or any other Lumacell product.

# Installation Instructions Double Faced Self Luminous Exits



Remove bezel. Select the method of mounting (wall, end or ceiling). The sign has eight (8) mounting holes (bottom two for spacer in ceiling applications, opposite end for spacer in end applications; lay assembly units back-to-back ensuring that all holes are in proper alignment. Attach side bracket between the units using bolts and nuts provided either on top or side for ceiling or end mounting respectively. Between the units on the opposite side secure the plastic spacer using bolts and nuts provided. Screw bracket in position, then fix sign to bracket using screws provided. Replace bezels. Snap tamper-proof buttons into place. Remove peel-off arrows as required.



## Health and Safety

Your Lumacell Self-Luminous Exit Sign is ready for immediate use and requires installation only.

Handle carefully during installation. Do not remove any labels from the sign.

Lumacell products are designed to withstand normal conditions of shipping without damage to the light sources. If a sign does not display full illumination upon receipt, return it to Lumacell.

This product contains radioactive material. Loss or theft of this product must be reported to the supplier. Do not abandon, open or dismantle the unit. For disposal, return to manufacturer or Atomic Energy of Canada Ltd. only.

Lumacell will be glad to assist with any queries concerning this self-luminous exit sign or any other Lumacell product.