

Phantom – Emergency Lighting

IMPORTANT SAFEGUARDS

When using electrical equipment, basic safety precautions should always be followed including the following:

READ AND FOLLOW ALL SAFETY INSTRUCTIONS

1. Do not use outdoors.
2. Do not let power supply cords touch hot surfaces.
3. Do not mount near gas or electric heaters.
4. Equipment should be mounted in locations and at heights where it will not readily be subjected to tampering by unauthorized personnel.
5. The use of accessory equipment not recommended by the manufacturer may cause an unsafe condition.
6. Do not use this equipment for other than intended use.
7. All servicing should be performed by qualified service personnel.

SAVE THESE INSTRUCTIONS

Installation Instructions (Figure 1)

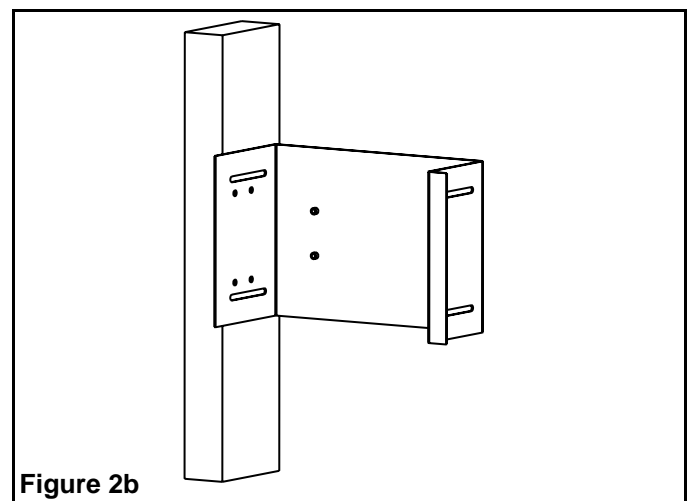
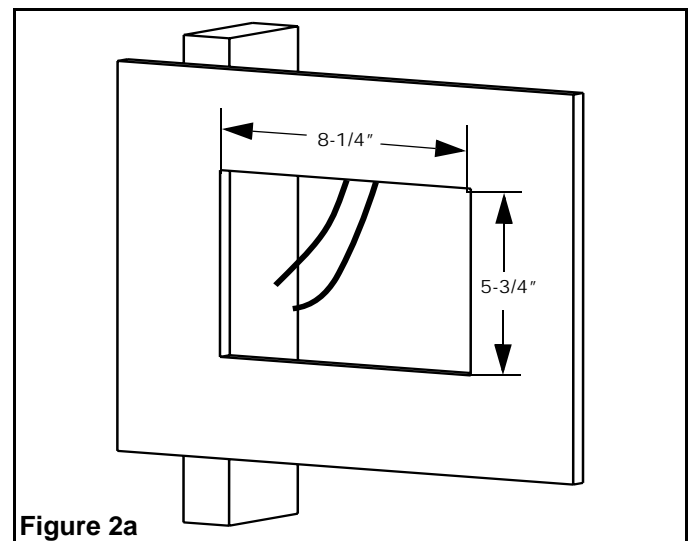
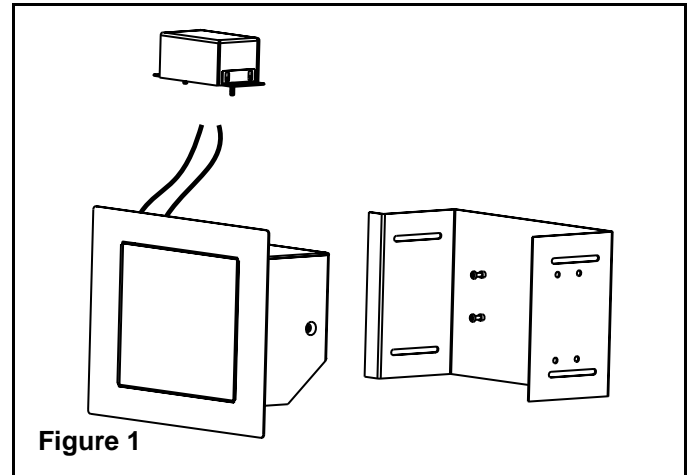
The DC-remote fixture comes with :

- = U-shape metal bracket, for rigid mount on wall studs and ceiling beams covered by drywall.
- = Junction box for the DC wire connection.

Both these components can be installed (retrofit) after the drywall put in. For installation, the cable from the DC remote battery unit must be passed near a wall stud or ceiling beam. At the installation point, the drywall must be marked with an opening hole of 2 to 3 in. diameter near that stud or beam.

“U” Bracket Installation in the Wall or Ceiling (Figure 2a,b,c)

1. Open a rectangular hole (8-1/4 inch by 5-3/4 inch) next to the wall stud or ceiling beam. The hole must have the short opening along the stud. Use the “U” bracket to mark the dimensions on the drywall.
2. Pass the electrical cable out through the hole.
3. Slide the “U” bracket in the hole: enter the flange side first then push the other side to the stud.
4. Fix the “U” bracket on the stud or beam with appropriate fasteners (not supplied).



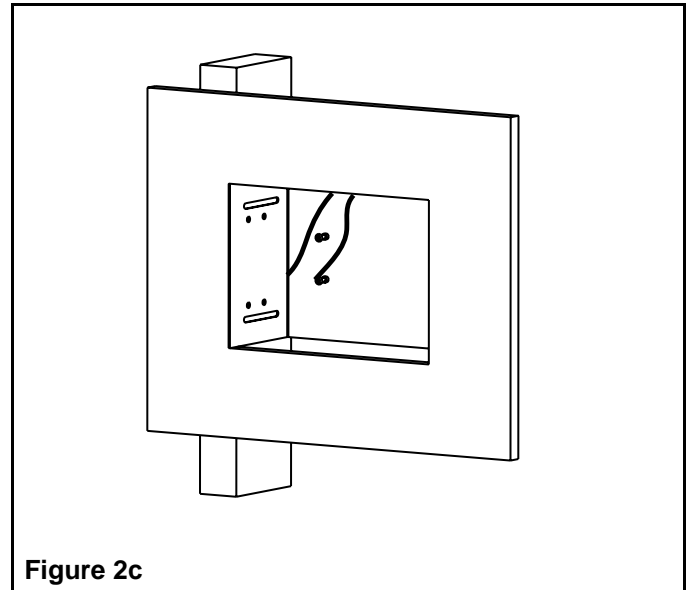


Figure 2c

“U” Bracket Installation in a T-bar Ceiling (Figures 3, 4 and 5)

The DC-remote fixture unit includes as an option (specify when ordering) a hardware kit for installation in T-bar ceiling structures.

1. Remove the four screws installed in the pem-studs of the “U” bracket and replace them with the longer, 1-inch screws provided in the hardware kit. Turn them two - three threads in the pem-studs.
2. Mount the adjustment brackets from the hardware kit on the two sides of the “U” bracket, using the studs and nuts. Do not tighten (see Figure 3).
3. Slide hanger bars through the tabs in the adjustment brackets. If needed, bend the middle tab of the adjustment brackets over the hanger bars (see Figure 4). Align the “U” bracket as required and fix location by cutting a hole in the ceiling panel of the size of the “U” bracket (8-1/4 inch by 5-3/4 inch).
4. Rest the assembly on top of grid members. The notch on bars should hook over grid member (see Figure 5). Place the “U” bracket with its flange sit on the panel and tighten the nuts on the studs of the side brackets (see Figure 4). Secure the whole assembly to the ceiling joists by chains or “pencil rod” wires (provided by others).
5. Pass the electrical cable out through the hole.

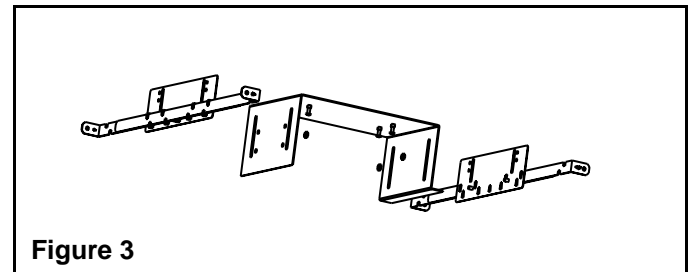


Figure 3

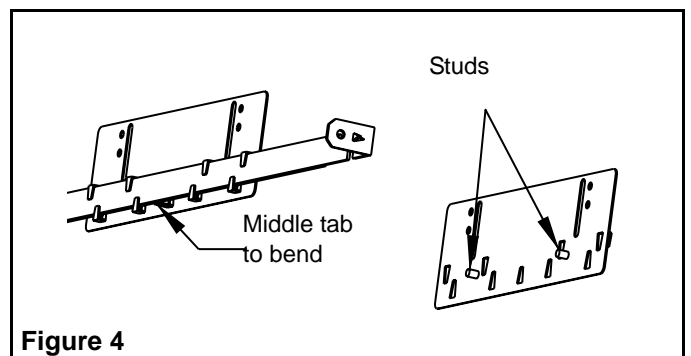


Figure 4

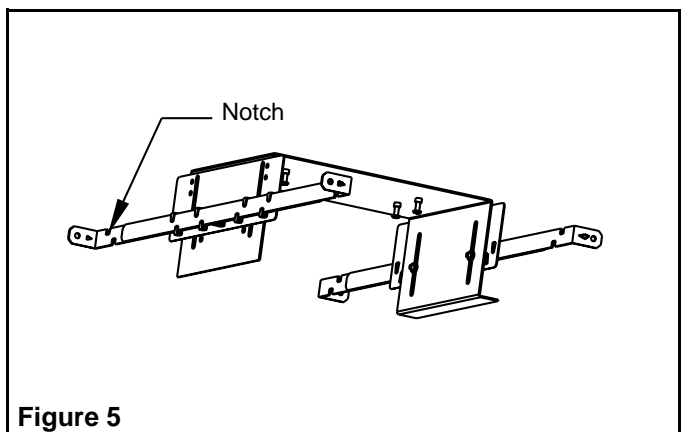
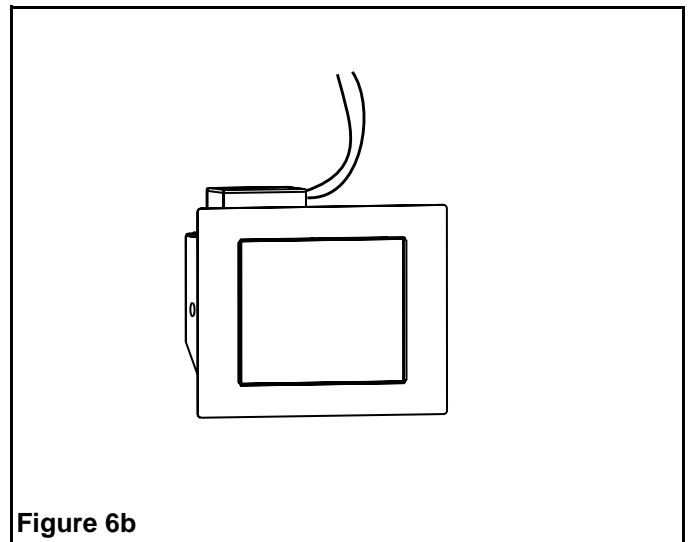
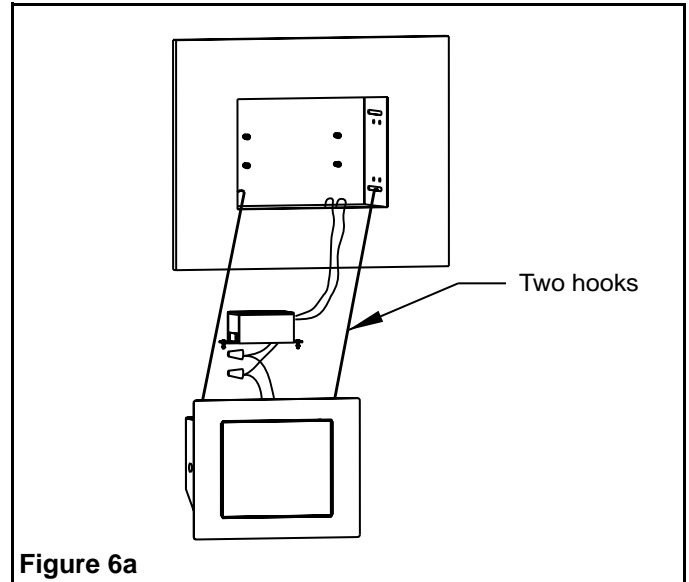


Figure 5

Lamp Module Installation (Figures 6 and 7)

1. Pass the DC cable about 2 inches through the junction box (provided).
2. Suspend the lamp module from the “U” bracket with the metal hooks (provided).
3. Connect the two wires from the lamp module to the DC cable. The connections don't have a polarity. However, the emergency power must supply low-voltage DC current: 12Vdc or 24Vdc, as specified on the product label.
4. Cap the wire connections and install them in the junction box (see Figure 6a).
5. Install the junction box on the lamp module with the two screws provided (see Figure 6b). Make sure the whole junction box installation follows the code.
6. Force the door of the lamp module half-open and identify the four key holes in its housing.
7. Hold the lamp module. Disengage the hooks and leave them hooked in the wall, on the “U” bracket, for future utilization (see Figure 7).
8. Push the electrical cable and the lamp module into the wall with the cable and junction box oriented upwards and engage the key holes in the four screws of the “U” bracket. Slide the lamp module so that the head of the screws are in the slotted end of the key hole.
9. Align the lamp unit on the wall (ceiling) then tighten the four screws until its trim is flush with the wall. For easy access to the screws, the door can be rotated one full turn of 360 degrees.
10. Orient the two lamps in their swivels and check that they are plugged into the sockets.
11. Close the door and make sure it is flush with the trim.



Testing the DC-Remote Fixture

1. Activate the DC emergency line. The door will open and the lamps will illuminate.
2. Pivot the lamps in their swivels to illuminate the desired area.
3. Turn off the DC emergency power. The lamps will turn off and the door will close flush with the trim.
4. The unit requires no maintenance, but should be tested regularly in accordance with the codes.

Important!

When powered, the fixture must be supplied for minimum 5 seconds in order to accumulate the energy required to close the door properly.

