

# SAF-T-RAY Series

## Wall mount remote head



### Features

- Compact wall sconce unit for indoor and outdoor use
- High impact resistant polycarbonate diffuser
- Die-cast aluminum housing
- For outdoor and indoor use
- Adjustable lamps
- Vandal resistant option
- CSA Certified to C22.2 N° 50



### Typical Specification

Wall mount unit shall be gasketed die-cast aluminum housing, impact resistant polycarbonate diffuser. The lamps shall be in adjustable for aisle or area distribution.

Fixture shall be supplied with gasket and shall be suitable for installation on any four inch octagonal box.

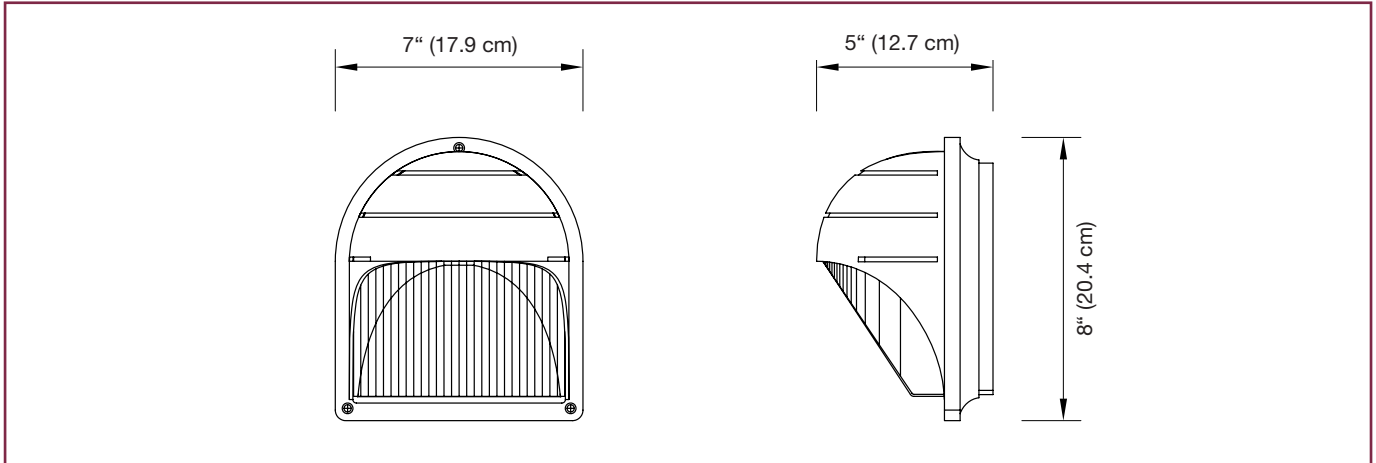
The remote unit shall be Lumacell model:  
SAF\_\_\_\_\_

Project / Location		Date
Contractor		Prepared by
LUMACELL Model		



# SAF-T-RAY

## Dimensions



## Replacement Lamps

Model	Lamp Type	Voltage-Wattage
580.0079-L	MR16 Flood	6V-10W
580.0080-L	MR16 Flood	12V-12W
580.0068-L	MR16 Flood	12V-20W
580.0077-L	MR16 Flood	24V-12W
580.0070-L	MR16 Flood	24V-20W

See the complete list p. 196 to 199.

## Ordering Information

Series	Lamp Type	Voltage/Wattage	Colour	Options
SAF= exterior remote	Blank= (1) med. base socket only (max. 60W), no lamp included, for non low-voltage can be used for generator emergency	Blank= no lamp	Blank= factory white	Blank= no options
		6V10W= (2) MR16 6V-10W	BK= black	VR= vandal resistant screws
		12V12W= (2) MR16 12V-12W	DG= dark grey	990.0119-L= tamper proof bit
		12V20WH= (2) MR16 12V-20W high output	DB= dark bronze	
	M= MR16	24V12W= (2) MR16 24V-12W	24V20W= (2) MR16 24V-20W	

### EXAMPLE: SAF