

SIGNATURE Collection Remote Fixture

Surface designer Series

WP series

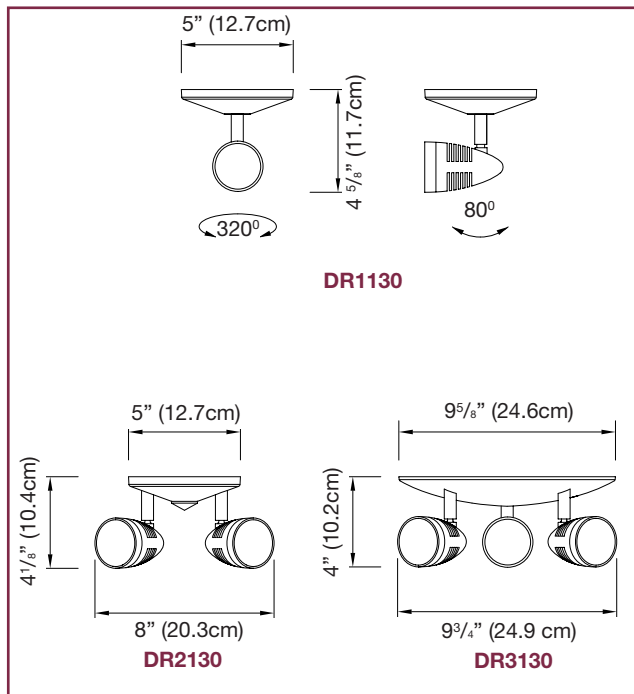
Weatherproof MR16 powder coated cast aluminum light head



RS*WP



Dimensions



Features

- Remote head: 1, 2 or 3 head configurations
- A selection of styles and shades
- Highly resistant powder-coated, die cast aluminum construction
- 6W, 10W, 12W, 20W, 35W, and 50W availability
- Narrow beam light source
- CSA certified to C22.2 N°50.

Wire Guards

| | |
|------------|---------------------------------------|
| 460.0029-L | Wall Mount (DR1130 / DR1160 / DR1161) |
| 460.0032-L | Wall Mount (DR2130 / DR2160 / DR2161) |
| 460.0078-L | Wall Mount (DR3130 / DR3160 / DR3161) |

Replacement Lamps

| Model | Lamp Type | Voltage-Wattage |
|------------|------------|-----------------|
| 570.0074-L | MR16 flood | 6V-6W |
| 580.0080-L | MR16 flood | 12V-12W |
| 580.0077-L | MR16 flood | 24V-20W |

See the complete list p. 196 to 199.

Ordering Information

| Series | # of Heads | Head Style | Colour | Lamp Style | Voltage / Wattage |
|-----------------------|----------------|-------------|------------------------|------------------|-------------------|
| DR= decorative remote | 1= single head | 130= closed | WH= white BK= black | -MR16= MR16 lamp | 6V6W= 6V-6W |
| | 2= double head | | | | 6V10W= 6V-10W |
| | 3= triple head | | | | 12V12W= 12V-12W |
| | | | | | 12V20W= 12V-20W |
| | | | | | 12V35W= 12V-35W |
| | | | | | 12V50W= 12V-50W |
| | | | | | 24V12W= 24V-12W |
| | | | | | 24V20W= 24V-20W |
| | | | | | 24V35W= 24V-35W |
| | | | | | 24V50W= 24V-50W |

EXAMPLE: DR1130WH-MR166V6W

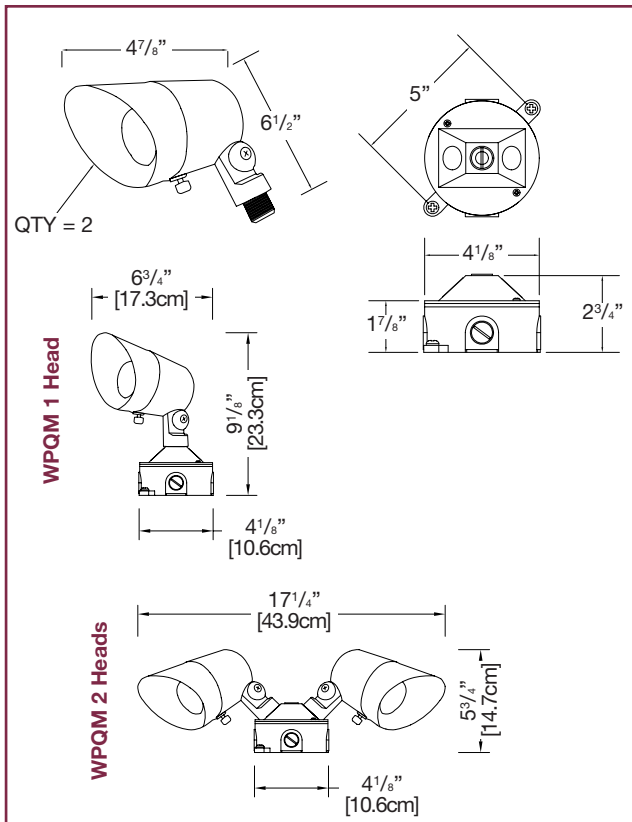
| | | |
|--------------------|--|-------------|
| Project / Location | | Date |
| Contractor | | Prepared by |
| LUMACELL Model | | |



SIGNATURE / WP

WP

Dimensions



Features

- Weatherproof MR16 powder coated cast aluminum light head
- Up to 24Volts 50Watts
- Available single or double head
- Preinstalled on a Red Dot® weather proof junction box:
 - Five Outlets, 4 1/8" Diameter
 - Copper-free* aluminum provides increased corrosion resistance.
 - Precision cast and machined surfaces permit safer wire pulling.
 - Clean cover edges provide good gasket sealing.
 - Precision NPT threads allow trouble-free field installation for rigid, IMC or EMT conduit.
 - Deep slotted stainless steel cover screws for faster installation.
- For use with 6V, 12V or 24V DC MR16 lamps

Replacement Lamps

| Model | Lamp Type | Voltage-Wattage |
|------------|------------|-----------------|
| 580.0079-L | MR16 flood | 6V-10W |
| 580.0080-L | MR16 flood | 12V-12W |
| 580.0070-L | MR16 flood | 24V-12W |

See the complete list p. 196 to 199.

Ordering Information

| Series | # of Heads | Voltage | Wattage | Colour |
|---|----------------------------|---------------------|--|---|
| WP = weather proof remotes, complete with Red Dot junction box | Blank = single head | -6V = 6 Vdc | 10W = 10 watts, MR16 (6V only) | Blank = black head/grey junction box |
| | D = double head | -12V = 12Vdc | 12W = 12 watts, MR16 (12&24V) | |
| | | -24V = 24Vdc | 20W = 20 watts, MR16 (12&24V) | |
| | | | 30W = 35 watts, MR16 (12&24V) | |
| | | | 50W = 50 watts, MR16 (12&24V) | |
| | | | 20WH = 20 watts, MR16, IR* (12V only) | |
| | | | 35WH = 35 watts, MR16, IR* (12V only) | |
| | | | 50WH = 50 watts, MR16, IR* (12V only) | |
| *IR= high output lamp | | | | |

EXAMPLE: WP6V10W